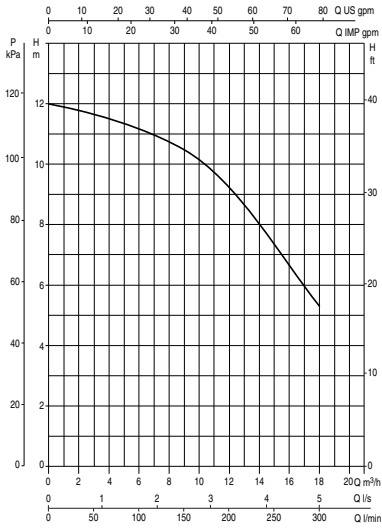


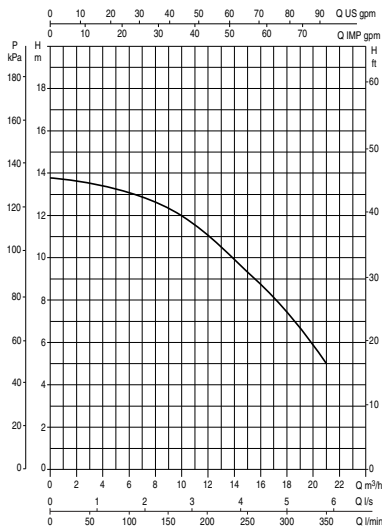
EUROSWIM

SWIMMING POOL CENTRIFUGAL PUMPS

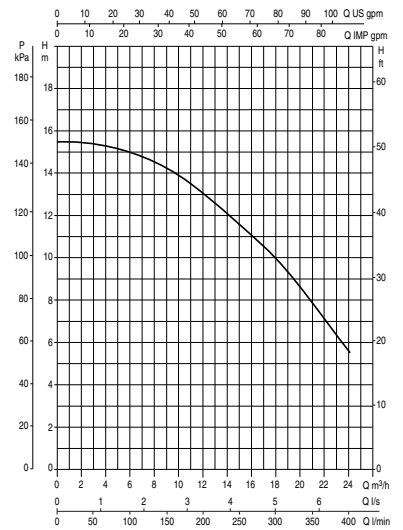
EUROSWIM 50



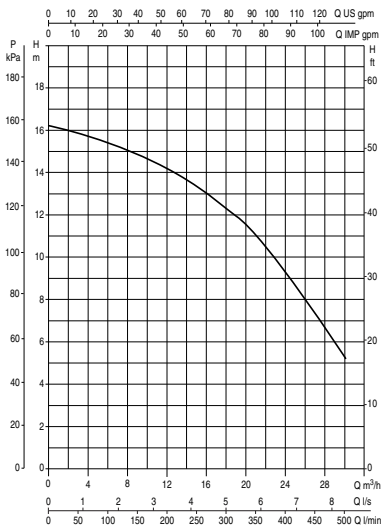
EUROSWIM 75



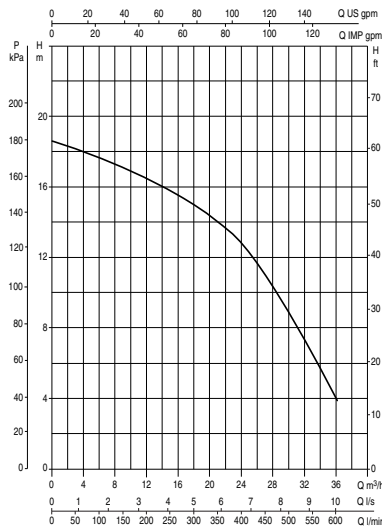
EUROSWIM 100



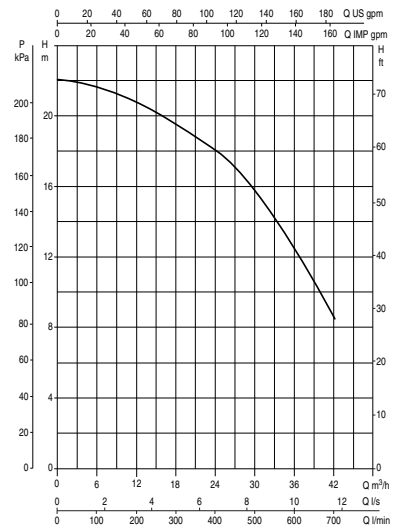
EUROSWIM 150



EUROSWIM 200



EUROSWIM 300

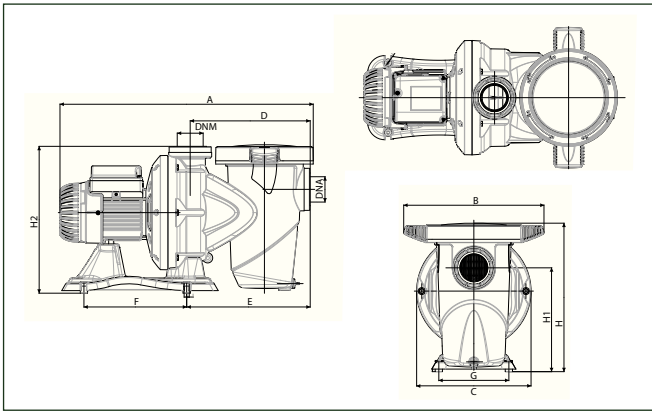


MULTISTAGE CENTRIFUGAL
AND SELF-PRIMING PUMPS

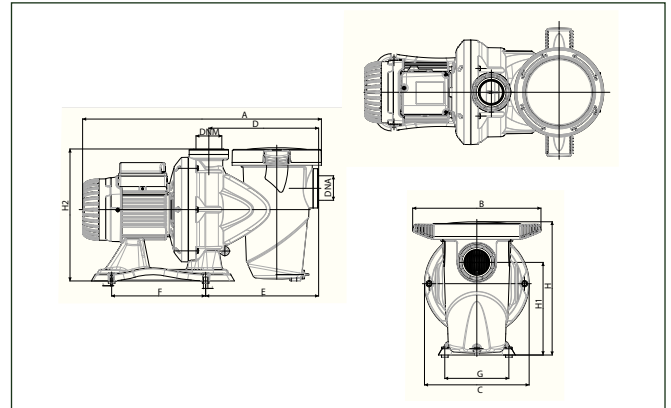
EUROSWIM

SWIMMING POOL CENTRIFUGAL PUMPS

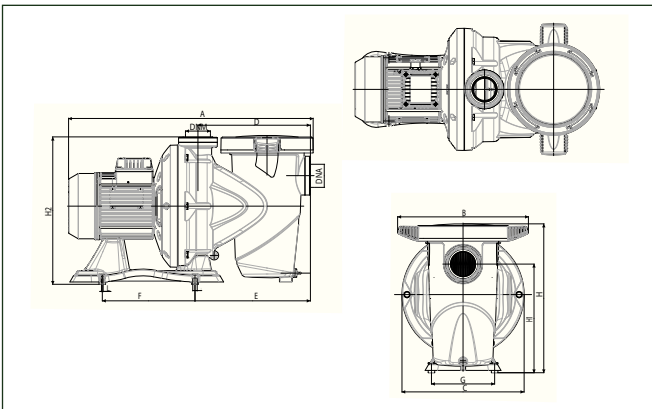
EUROSWIM 50



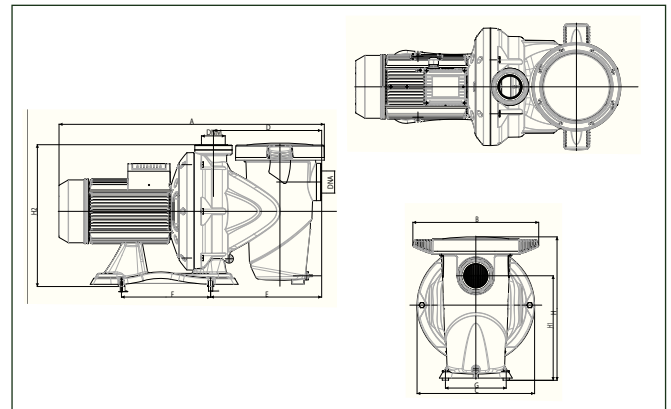
EUROSWIM 75 - 100



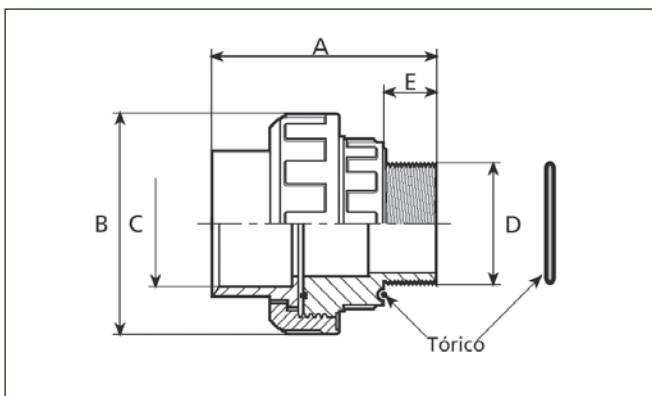
EUROSWIM 150 - 200



EUROSWIM 300



2" GAS CONNECTION FITTINGS KIT



MODEL	A	B	C	D	E	F	G	H	H1	H2	I	L	DNA GAS	DNM GAS	PACKAGING DIMENSIONS			WEIGHT KG	Q.TY x PALLET
															L	B	H		
EUROSWIM 50 M	536	242	242	257	265	220	150	351	222	314	11	6,5	2"	2"	600	360	400	16	8
EUROSWIM 75 M	552	242	245	257	265	220	150	351	222	314	11	6,5	2"	2"	600	360	400	16,5	8
EUROSWIM 75 T	552	242	245	257	265	220	150	351	222	314	11	6,5	2"	2"	600	360	400	16,5	8
EUROSWIM 100 M	552	242	245	257	265	220	150	351	222	314	11	6,5	2"	2"	600	360	400	17	8
EUROSWIM 100 T	552	242	245	257	265	220	150	351	222	314	11	6,5	2"	2"	600	360	400	17	8
EUROSWIM 150 M	574	250	290	267	274	220	150	387	258	350	11	6,5	2"	2"	720	350	430	22	6
EUROSWIM 150 T	574	250	290	267	274	220	150	387	258	350	11	6,5	2"	2"	720	350	430	22	6
EUROSWIM 200 M	648	250	290	267	274	220	150	387	258	350	11	6,5	2"	2"	720	350	430	24	6
EUROSWIM 200 T	574	250	290	267	274	220	150	387	258	350	11	6,5	2"	2"	720	350	430	22	6
EUROSWIM 300 T	648	252	290	267	274	220	150	387	258	350	11	6,5	2"	2"	720	350	430	24,5	6
2" GAS FITTINGS KIT	99	99	50/63	2"	20	-	-	-	-	-	-	-	-	-	-	-	-	24	6

EUROPRO HIGH FLOW SWIMMING POOL CENTRIFUGAL PUMPS*



WATER CIRCULATION IN BIG FILTRATION SYSTEMS, AGRICULTURE AND INDUSTRY WATER TREATMENT



Self-priming, high-performance centrifugal pumps, with built-in large capacity prefilter. 2 or 4 pole motor completely isolated from the water. Extremely quiet and highly reliable, developed for the circulation and filtration in large swimming pool filtration systems. Also suitable for particular applications that require handling of **seawater** thanks to the mechanical seal made of AISI 316.

Prefilter body, pump body, spiral, counterspiral and pump body lid are made of polypropylene, resistant to chemical products found in swimming pools and reinforced with fiber glass. Prefilter basket made of zinc. Prefilter lid made of transparent polycarbonate with four knobs locking system. Closed asynchronous motor with external ventilation with 2 or 4 poles depending on the model, with a wide capacity range from 3 to 15 Hp.

Terminal box with IP55 Degree of protection.

Insulation class: F

Standard voltage: 3 x 230-400V 50 Hz up to 4 kW

3 x 400-690V 50 Hz over 4 kW

Operating range: Up to 190 m³/h with head up to 22 m

Temperature range of the liquid: Up to 40°C

Pumped Liquid: clean or slightly dirty water or a little aggressive (Poly Hexamethylene Biguanide) or water treated with chlorine electrolysis process.

Maximum ambient temperature: 40°C

Installation: in horizontal position

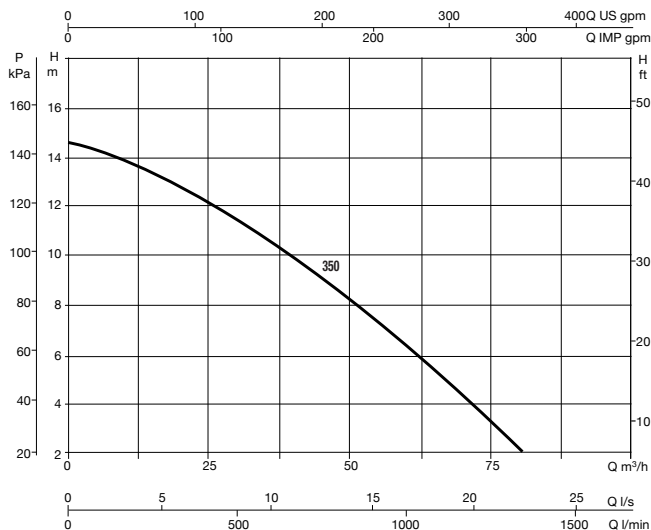
Special executions on request: other frequencies and/or voltages

*Suitable also for salt water

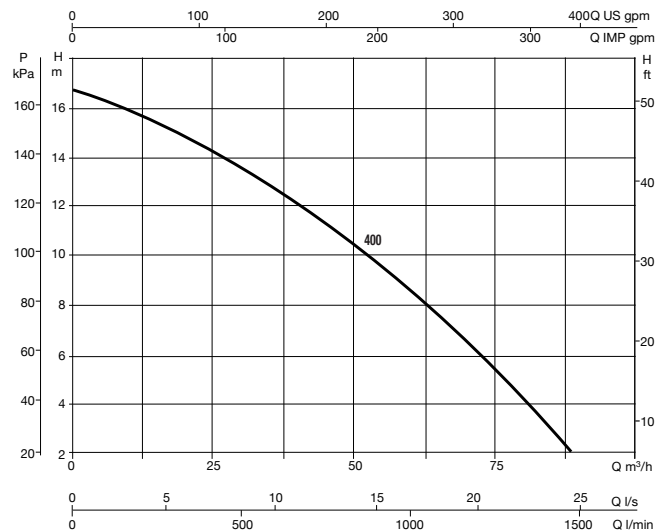
TECHNICAL DATA

MODEL	CODE	ELECTRICAL DATA							HYDRAULIC DATA												
		VOLTAGE 50 Hz	P1 MAX kW	P2 NOMINAL		In A			N. rpm	H=m	Q (m ³ /h)										
				HP	KW	230	400	690			6	8	10	12	14	16	18	20	22		
EUROPRO 350 T	60164686	3 x 230-400V	2,97	3	2,2	9,4	5,3	-	1450	Q (m ³ /h)	62	51	40	28	8						
EUROPRO 400 T	60164687	3 x 230-400V	3,83	4	3	12,5	6,9	-	1450		72	63	54	42	28	7					
EUROPRO 550 T	60164688	3 x 230-400V	5,54	5,5	4	15,3	8,8	-	1450		122	104	84	52							
EUROPRO 750 T	60164689	3 x 400-690V	6,85	7,5	5,5	-	12	7	1450		144	126	106	84	56						
EUROPRO 1000 T	60164690	3 x 400-690V	8,26	10	7,5	-	15,8	9,2	1450		160	144	126	107	84	48					
EUROPRO 1250 T	60164691	3 x 400-690V	13,74	12,5	9,2	-	18,5	10,7	2850			176	160	144	125	105	80	50			
EUROPRO 1500 T	60164692	3 x 400-690V	15,73	15	11	-	20,9	12	2850			180	168	155	142	130	115	96	67		

EUROPRO 350 T



EUROPRO 400 T

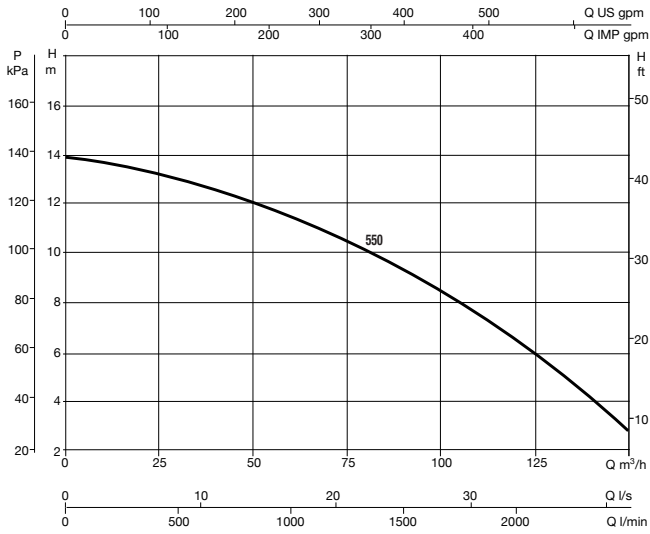


The performance curves are based on the kinematic viscosity values = 1 mm²/s and density of 1000 kg/m³. Curve tolerance according to ISO9906.

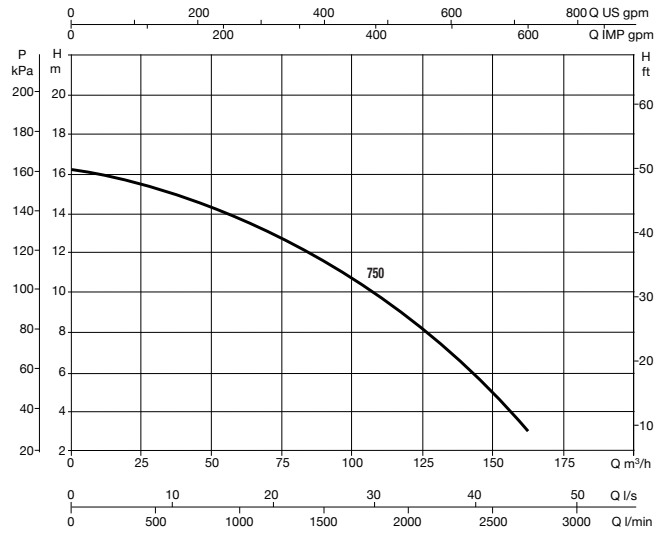


EUROPRO HIGH FLOW SWIMMING POOL CENTRIFUGAL PUMPS

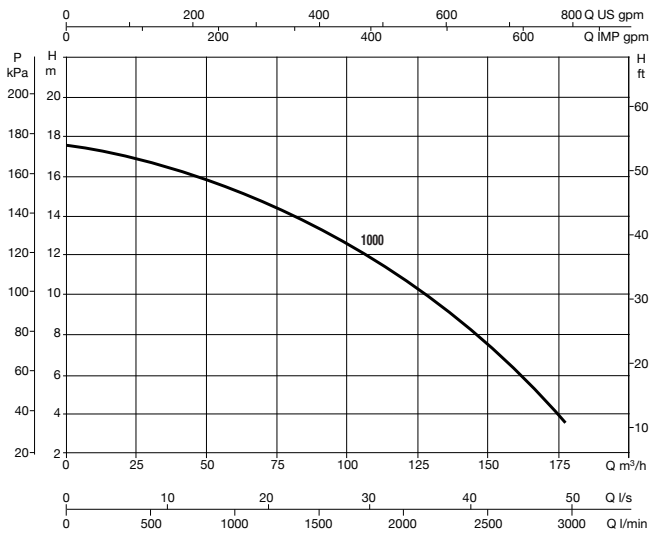
EUROPRO 550 T



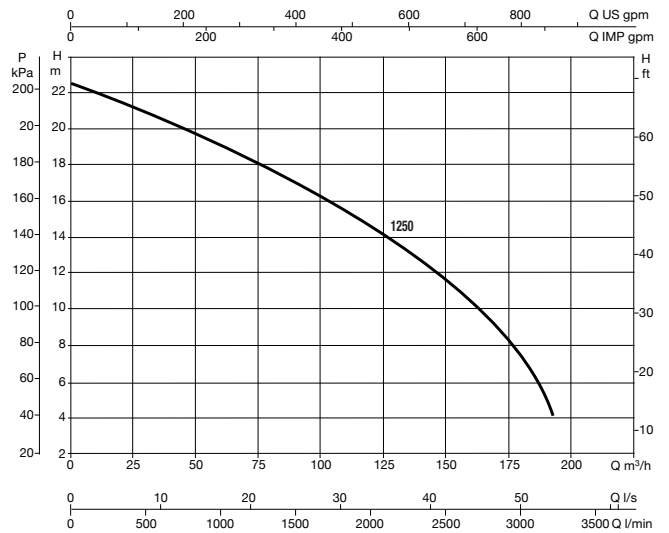
EUROPRO 750 T



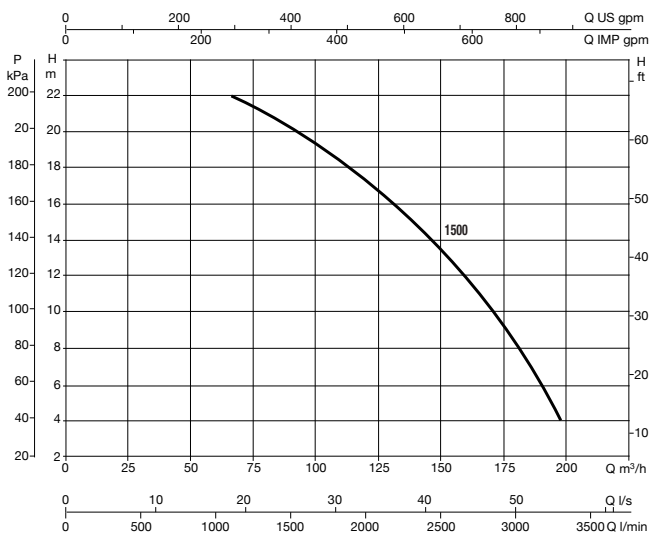
EUROPRO 1000 T



EUROPRO 1250 T



EUROPRO 1500 T

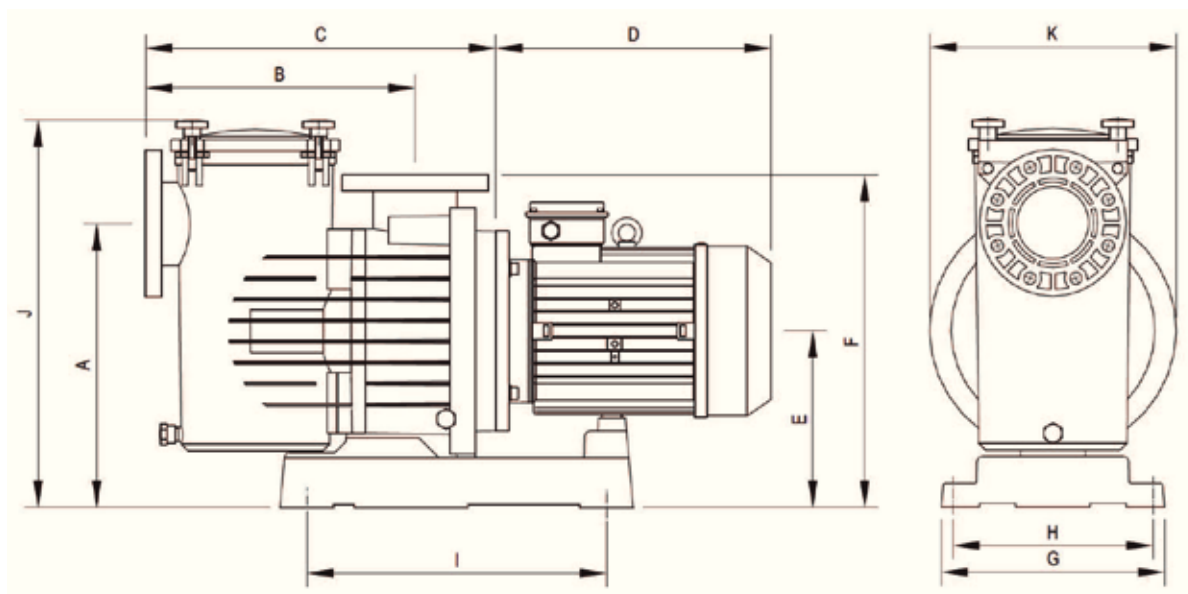


The performance curves are based on the kinematic viscosity values = 1 mm²/s and density of 1000 kg/m³. Curve tolerance according to ISO9906.

EUROPRO HIGH FLOW

SWIMMING POOL CENTRIFUGAL PUMPS

DIMENSIONS AND WEIGHTS



MODEL	A	B	C	D	E	F	G	H	I	J	K	DNA	DNM	PACKAGING DIMENSIONS			WEIGHT Kg
														L	B	H	
EUROPRO 350 T	420	405	530	310	265	495	335	300	450	590	370	110	110	840	385	595	42,5
EUROPRO 400 T	420	405	530	310	265	495	335	300	450	590	370	110	110	840	385	595	44,5
EUROPRO 550 T	420	405	530	335	265	495	335	300	450	590	370	110	110	1170	385	715	53,5
EUROPRO 750 T	420	405	508	380	265	495	335	300	450	590	370	110	110	1170	385	715	66
EUROPRO 1000 T	420	405	508	380	265	495	335	300	450	590	370	110	110	1170	385	715	76
EUROPRO 1250 T	420	405	508	380	265	495	335	300	450	590	370	110	110	1170	385	715	84,5
EUROPRO 1500 T	420	405	508	380	265	495	335	300	450	590	370	110	110	1170	385	715	85,5

MULTISTAGE CENTRIFUGAL
AND SELF-PRIMING PUMPS