
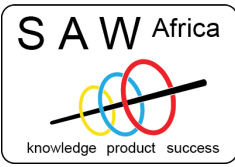


Qty.	Description																																						
1	<p data-bbox="199 338 343 367"><b>SQF 0.6-2 N</b></p> <div data-bbox="272 383 512 786" style="text-align: center;">  </div> <p data-bbox="592 770 1075 792" style="text-align: center;"><b>Note! Product picture may differ from actual product</b></p> <p data-bbox="199 801 1021 860">Product No.: On request                      The 3" SQFlex pump with helical rotor is for high heads and low flow rates.</p> <p data-bbox="199 891 1458 949">The SQFlex system is a reliable water supply system based on renewable energy sources, such as solar and wind energy.</p> <p data-bbox="199 949 1437 1003">Thanks to its flexible energy supply and performance, the SQFlex system can be combined and adapted to meet any need on the installation site.</p> <p data-bbox="199 1039 1342 1093">The SQFlex system has a wide voltage range, built-in maximum power point tracking (MPPT) as well as dry-running, voltage and overload protection.</p> <p data-bbox="199 1155 288 1182"><b>Liquid:</b></p> <table data-bbox="199 1182 699 1301"> <tr> <td>Pumped liquid:</td> <td>Water</td> </tr> <tr> <td>Maximum liquid temperature:</td> <td>40 °C</td> </tr> <tr> <td>Selected liquid temperature:</td> <td>20 °C</td> </tr> <tr> <td>Density:</td> <td>998.2 kg/m<sup>3</sup></td> </tr> </table> <p data-bbox="199 1335 328 1361"><b>Technical:</b></p> <p data-bbox="199 1361 724 1388">Approvals on motor nameplate: CE,RCM,EAC</p> <p data-bbox="199 1388 660 1415">Approvals on pump nameplate: CE,EAC</p> <p data-bbox="199 1451 320 1478"><b>Materials:</b></p> <table data-bbox="199 1478 767 1597"> <tr> <td>Pump:</td> <td>Stainless steel DIN W.-Nr. 1.4401 AISI 316</td> </tr> <tr> <td>Impeller:</td> <td>DIN W.-Nr. 1.4401</td> </tr> </table> <p data-bbox="199 1630 344 1657"><b>Installation:</b></p> <table data-bbox="199 1657 660 1749"> <tr> <td>Maximum ambient pressure:</td> <td>15 bar</td> </tr> <tr> <td>Pump outlet:</td> <td>Rp 1 1/4</td> </tr> <tr> <td>Minimum borehole diameter:</td> <td>76 mm</td> </tr> </table> <p data-bbox="199 1783 379 1809"><b>Electrical data:</b></p> <table data-bbox="199 1809 711 2101"> <tr> <td>Motor type:</td> <td>MSF3N</td> </tr> <tr> <td>Power input - P1:</td> <td>1.4 kW</td> </tr> <tr> <td>Rated voltage ac:</td> <td>1 x 90-240 V</td> </tr> <tr> <td>Rated voltage dc:</td> <td>30-300 V</td> </tr> <tr> <td>Rated current:</td> <td>8.4 A</td> </tr> <tr> <td>Power factor:</td> <td>1.0</td> </tr> <tr> <td>Rated speed:</td> <td>3600 rpm</td> </tr> <tr> <td>Start. method:</td> <td>direct-on-line</td> </tr> <tr> <td>Enclosure class (IEC 34-5):</td> <td>IP68</td> </tr> <tr> <td>Insulation class (IEC 85):</td> <td>F</td> </tr> </table>	Pumped liquid:	Water	Maximum liquid temperature:	40 °C	Selected liquid temperature:	20 °C	Density:	998.2 kg/m <sup>3</sup>	Pump:	Stainless steel DIN W.-Nr. 1.4401 AISI 316	Impeller:	DIN W.-Nr. 1.4401	Maximum ambient pressure:	15 bar	Pump outlet:	Rp 1 1/4	Minimum borehole diameter:	76 mm	Motor type:	MSF3N	Power input - P1:	1.4 kW	Rated voltage ac:	1 x 90-240 V	Rated voltage dc:	30-300 V	Rated current:	8.4 A	Power factor:	1.0	Rated speed:	3600 rpm	Start. method:	direct-on-line	Enclosure class (IEC 34-5):	IP68	Insulation class (IEC 85):	F
Pumped liquid:	Water																																						
Maximum liquid temperature:	40 °C																																						
Selected liquid temperature:	20 °C																																						
Density:	998.2 kg/m <sup>3</sup>																																						
Pump:	Stainless steel DIN W.-Nr. 1.4401 AISI 316																																						
Impeller:	DIN W.-Nr. 1.4401																																						
Maximum ambient pressure:	15 bar																																						
Pump outlet:	Rp 1 1/4																																						
Minimum borehole diameter:	76 mm																																						
Motor type:	MSF3N																																						
Power input - P1:	1.4 kW																																						
Rated voltage ac:	1 x 90-240 V																																						
Rated voltage dc:	30-300 V																																						
Rated current:	8.4 A																																						
Power factor:	1.0																																						
Rated speed:	3600 rpm																																						
Start. method:	direct-on-line																																						
Enclosure class (IEC 34-5):	IP68																																						
Insulation class (IEC 85):	F																																						



Pumps



Motors



VSD's



Renewables

S A W Africa

Kimberley +27 53 832 3681  
 Johannesburg +27 11 392 2217  
 George +27 44 878 0349  
 Cape Town +27 21 949 6862

Qty.	Description
	<p>Length of cable: 2 m</p> <p>Motor No: 96275337</p> <p>Udc: 300 V</p> <p>30 V</p> <p><b>Others:</b></p> <p>Minimum efficiency index, MEI %: ---</p> <p>Net weight: 7.6 kg</p> <p>Gross weight: 9.4 kg</p> <p>Shipping volume: 0.024 m<sup>3</sup></p> <p>Country of origin: MX</p> <p>Custom tariff no.: 84137025</p>



Pumps



Motors

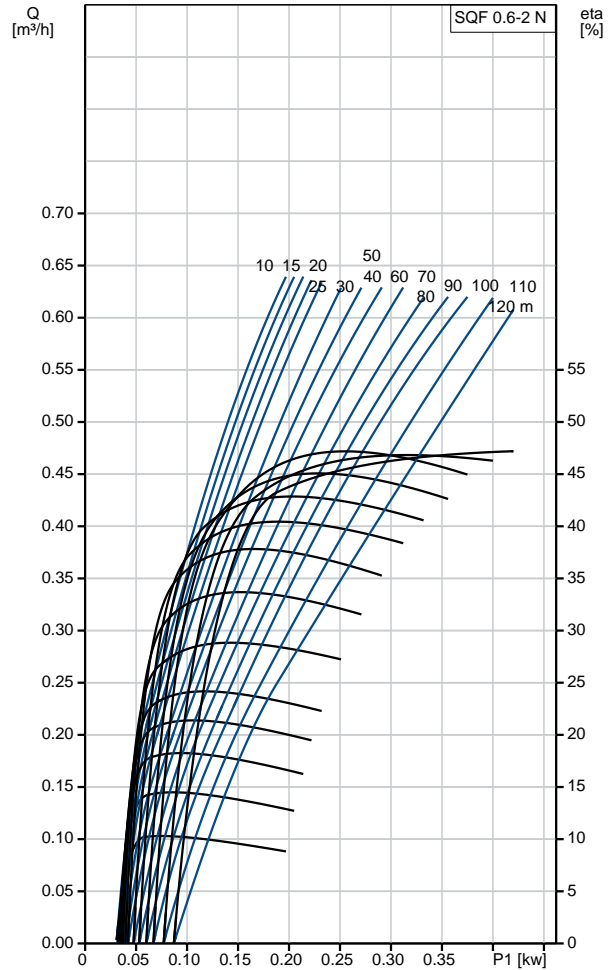


VSD's

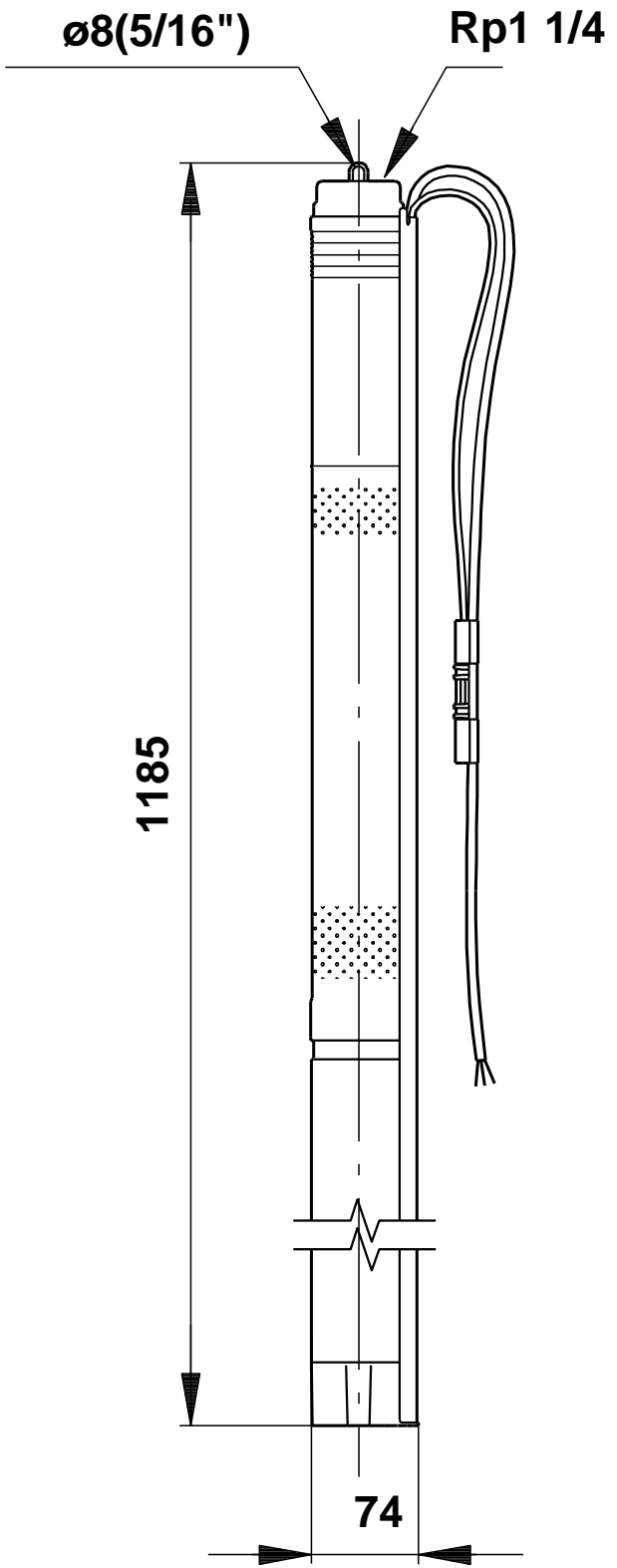


Renewables

Description	Value
<b>General information:</b>	
Product name:	SQF 0.6-2 N
Product No:	On request
EAN number:	On request
	On request
<b>Technical:</b>	
Stages:	2
Approvals on motor nameplate:	CE,RCM,EAC
Approvals on pump nameplate:	CE,EAC
Pump No:	95027406
Valve:	pump with built-in non-return valve
<b>Materials:</b>	
Pump:	Stainless steel DIN W.-Nr. 1.4401 AISI 316
Impeller:	DIN W.-Nr. 1.4401
Rotor:	Stainless steel DIN W.-Nr. 1.4401 AISI 316
Stator:	Stainless steel / EPDM DIN W.-Nr. 1.4401 AISI 316
<b>Installation:</b>	
Maximum ambient pressure:	15 bar
Pump outlet:	Rp 1 1/4
Minimum borehole diameter:	76 mm
<b>Liquid:</b>	
Pumped liquid:	Water
Maximum liquid temperature:	40 °C
Selected liquid temperature:	20 °C
Density:	998.2 kg/m³
<b>Electrical data:</b>	
Motor type:	MSF3N
Power input - P1:	1.4 kW
Rated voltage ac:	1 x 90-240 V
Rated voltage dc:	30-300 V
Rated current:	8.4 A
Power factor:	1.0
Rated speed:	3600 rpm
Start. method:	direct-on-line
Enclosure class (IEC 34-5):	IP68
Insulation class (IEC 85):	F
Motor protec:	Y
Thermal protec:	internal
Length of cable:	2 m
Motor No:	96275337
Udc:	300 V 30 V
<b>Others:</b>	
Minimum efficiency index, MEI â%o€:	--
Net weight:	7.6 kg
Gross weight:	9.4 kg
Shipping volume:	0.024 m³
Sales region:	Europe/South America/Japan
Country of origin:	MX
Custom tariff no.:	84137025



**On request SQF 0.6-2 N 50 Hz**



Note! All units are in [mm] unless others are stated.  
 Disclaimer: This simplified dimensional drawing does not show all details.



Pumps



Motors



VSD's



Renewables

**Spare parts SQF 0.6-2 N, Product No. On request**  
**Produced After 0616 (production year and week number)**

Pos	Description	Annotation	Classification Data	Part no.	Qty.	Unit
-	Pump w/o motor				1	pcs
-	Kit, cable guard			95048653	1	
18a	Pan head tapping screw					
18	Cable guard					
-	Kit, hydraulic parts			96477055	1	
6	Flange					
9	Pump stator					
13	Pump rotor					
-	Kit, non-return valve			96477052	1	
-	Valve flap cpl.					
2	Valve cup					
39	Compression spring					
-	Valve casing					
1d	O-ring					
1	Valve casing					
3	Valve seat					
7a	Retaining ring					
70	Valve guide					
-	Kit, sand slinger			96773222	1	
	Sand slinger					
-	Kit, screws			96037388	1	
18a	Pan head tapping screw					
18a	Pan head screw					
18a	Screw		Length (mm): 10 Thread: K35			
250	Nut					
-	Kit, sleeve			96915659	1	
55	Pump sleeve					
-	Kit, torsion shaft			96477060	1	
16	Shaft					
-	Motor				1	pcs
-	Kit, bearing			96773223	1	
	Shaft					
202a	Stop ring					
203	Thrust bearing part stationary					
205	Radial bearing, upper					
206	Thrust bearing part, rotating					
222a	Filling plug					
232	Lip seal ring					
-	Kit, cable			97778359	1	
220	Power Supply					
-	Kit, rotor			96773228	1	
202	Shaft w/rotor					
-	Kit, thrust bearing			96773224	1	
224	O-ring		Diameter: 58 Material type: NBR Thickness: 2			
243	Thrust bearing housing					
-	Kit, top cover			96773227	1	
222a	Filling plug					
224	O-ring		Diameter: 58 Material type: NBR Thickness: 2			

S A W Africa



knowledge product success



Pumps



Motors



VSD's



Renewables

S A W Africa

Kimberley +27 53 832 3681

Johannesburg +27 11 392 2217

George +27 44 878 0349

Cape Town +27 21 949 6862

Pos	Description	Annotation	Classification Data	Part no.	Qty.	Unit
225	Top cover					
232	Lip seal ring					