

Qty.	Description
------	-------------

1

SQF 1.2-3 N



Note! Product picture may differ from actual product

Product No.: [96834839](#)

The 3" SQFlex pump with helical rotor is for high heads and low flow rates.

The SQFlex system is a reliable water supply system based on renewable energy sources, such as solar and wind energy.

Thanks to its flexible energy supply and performance, the SQFlex system can be combined and adapted to meet any need on the installation site.

The SQFlex system has a wide voltage range, built-in maximum power point tracking (MPPT) as well as dry-running, voltage and overload protection.

Liquid:

Pumped liquid:	Water
Maximum liquid temperature:	40 °C
Selected liquid temperature:	20 °C
Density:	998.2 kg/m ³

Technical:

Approvals on motor nameplate:	CE,RCM,EAC
Approvals on pump nameplate:	CE,EAC

Materials:

Pump:	Stainless steel DIN W.-Nr. 1.4401 AISI 316
Impeller:	Stainless steel DIN W.-Nr. 1.4401 AISI 316

Installation:

Maximum ambient pressure:	15 bar
Pump outlet:	Rp 1 1/4
Minimum borehole diameter:	76 mm

Electrical data:

Motor type:	MSF3N
Power input - P1:	1.4 kW
Rated voltage ac:	1 x 90-240 V
Rated voltage dc:	30-300 V
Rated current:	8.4 A
Power factor:	1.0
Rated speed:	3600 rpm
Start. method:	direct-on-line



Qty.	Description
------	-------------

Enclosure class (IEC 34-5):	IP68
Insulation class (IEC 85):	F
Length of cable:	2 m
Motor No:	96275337
Udc:	300 V
	30 V

Others:

Minimum efficiency index, MEI %:	---
Net weight:	8.2 kg
Gross weight:	10 kg
Shipping volume:	0.024 m ³
Country of origin:	MX
Custom tariff no.:	84137025



Pumps



Motors

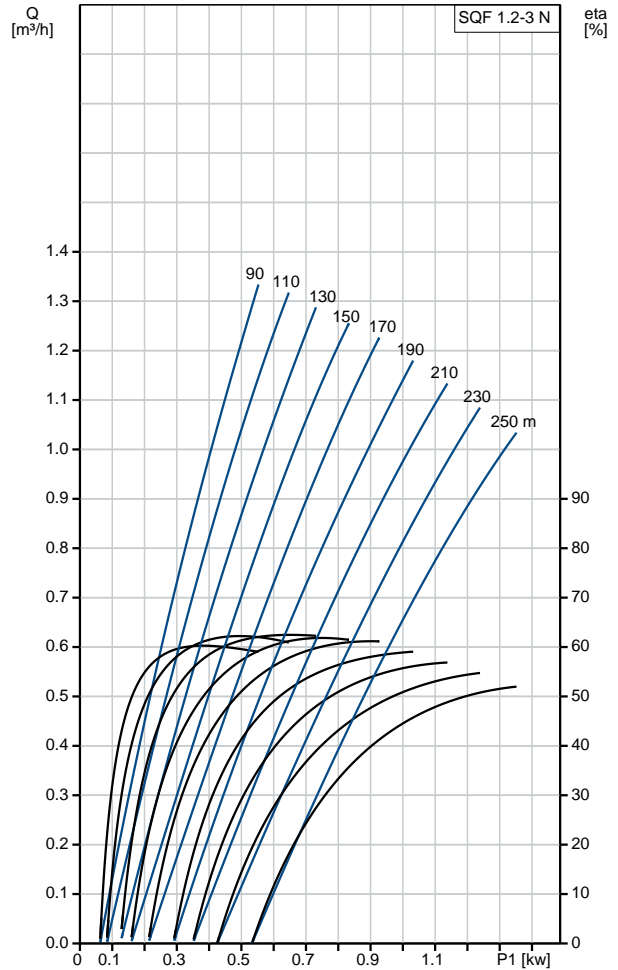


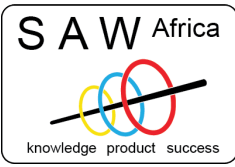
VSD's



Renewables

Description	Value
General information:	
Product name:	SQF 1.2-3 N
Product No:	96834839
EAN number:	5700311531655
	5700311531655
Technical:	
Stages:	3
Approvals on motor nameplate:	CE,RCM,EAC
Approvals on pump nameplate:	CE,EAC
Pump No:	96834836
Valve:	pump with built-in non-return valve
Materials:	
Pump:	Stainless steel DIN W.-Nr. 1.4401 AISI 316
Impeller:	Stainless steel DIN W.-Nr. 1.4401 AISI 316
Rotor:	Stainless steel DIN W.-Nr. 1.4401 AISI 316
Stator:	Stainless steel / EPDM DIN W.-Nr. 1.4401 AISI 316
Installation:	
Maximum ambient pressure:	15 bar
Pump outlet:	Rp 1 1/4
Minimum borehole diameter:	76 mm
Liquid:	
Pumped liquid:	Water
Maximum liquid temperature:	40 °C
Selected liquid temperature:	20 °C
Density:	998.2 kg/m ³
Electrical data:	
Motor type:	MSF3N
Power input - P1:	1.4 kW
Rated voltage ac:	1 x 90-240 V
Rated voltage dc:	30-300 V
Rated current:	8.4 A
Power factor:	1.0
Rated speed:	3600 rpm
Start. method:	direct-on-line
Enclosure class (IEC 34-5):	IP68
Insulation class (IEC 85):	F
Motor protec:	Y
Thermal protec:	internal
Length of cable:	2 m
Motor No:	96275337
Udc:	300 V
	30 V
Others:	
Minimum efficiency index, MEI	---
Net weight:	8.2 kg
Gross weight:	10 kg
Shipping volume:	0.024 m ³





Pumps



Motors



VSD's



Renewables

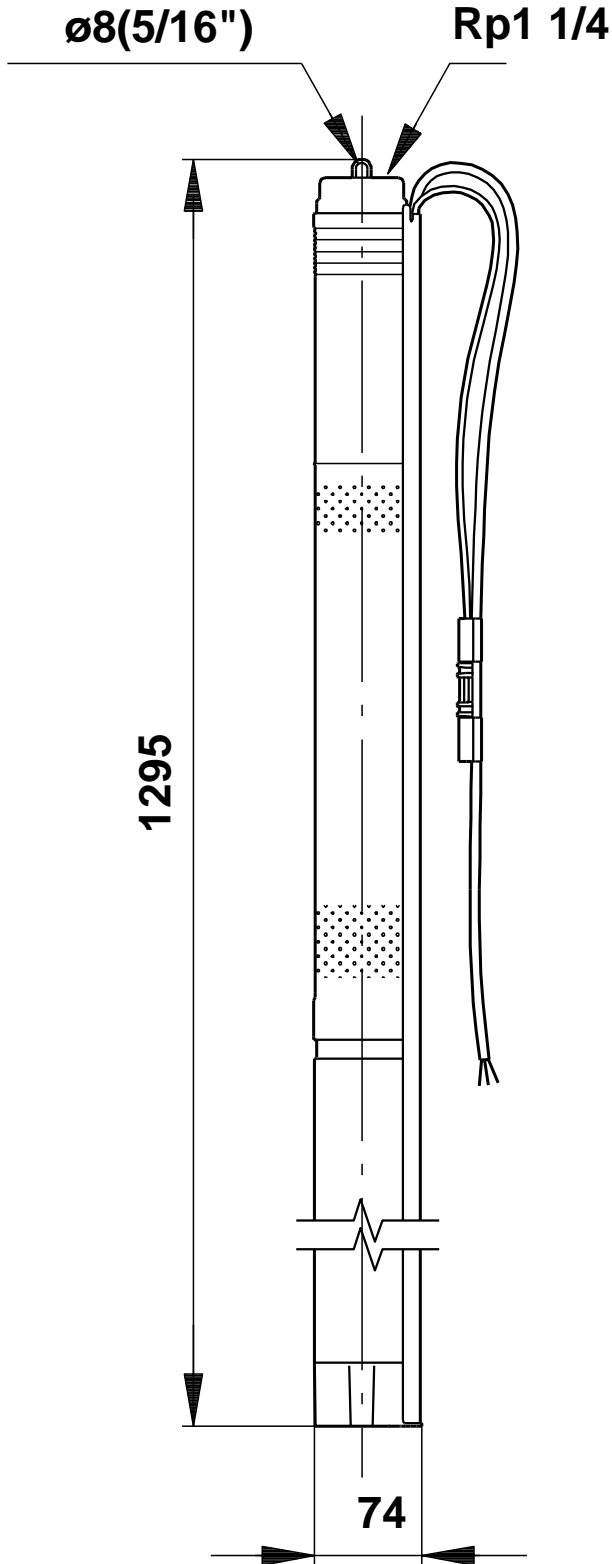
S A W Africa

Kimberley +27 53 832 3681
Johannesburg +27 11 392 2217
George +27 44 878 0349
Cape Town +27 21 949 6862

Description	Value
Sales region:	Europe/South America/Japan/Australia
Country of origin:	MX
Custom tariff no.:	84137025



96834839 SQF 1.2-3 N



Note! All units are in [mm] unless others are stated.
 Disclaimer: This simplified dimensional drawing does not show all details.

Spare parts SQF 1.2-3 N, Product No. 96834839
Produced After 0918 (production year and week number)

Pos	Description	Annotation	Classification Data	Part no.	Qty.	Unit
-	Pump w/o motor				1	pcs
-	Kit, cable			96477012	1	
220	End cover w/cable					
250	Nut					
-	Kit, cable guard			96834831	1	
18a	Pan head tapping screw					
18	Cable guard					
-	Kit, hydraulic parts			96959823	1	
6	Flange					
9	Stator					
13	Pump rotor					
-	Kit, non-return valve			96477052	1	
-	Valve flap cpl.					
2	Valve cup					
39	Compression spring					
-	Valve casing					
1d	O-ring					
1	Valve casing					
3	Valve seat					
7a	Retaining ring					
70	Valve guide					
-	Kit, sand slinger			96773222	1	
	Sand slinger					
-	Kit, torsion shaft			96477060	1	
16	Shaft					
-	Motor				1	pcs
-	Kit, bearing			96773223	1	
	Shaft					
202a	Stop ring					
203	Thrust bearing part stationary					
205	Radial bearing, upper					
206	Thrust bearing part, rotating					
222a	Filling plug					
232	Lip seal ring					
-	Kit, cable			97778359	1	
220	Power Supply					
-	Kit, rotor			96773228	1	
202	Shaft w/rotor					
-	Kit, thrust bearing			96773224	1	
224	O-ring		Diameter: 58			
			Material type: NBR			
			Thickness: 2			
243	Thrust bearing housing					
-	Kit, top cover			96773227	1	
222a	Filling plug					
224	O-ring		Diameter: 58			
			Material type: NBR			
			Thickness: 2			
225	Top cover					
232	Lip seal ring					
18a	Bulk, Pan head tapping screw (20 pcs)			99285130	2	pcs