

Pumps



Motors



VSD's



Renewables

Kimberley +27 53 832 3681

Johannesburg +27 11 392 2217

George +27 44 878 0349

Cape Town +27 21 949 6862

| Qty. | Description |
|------|-------------|
|------|-------------|

| | |
|---|-------------------|
| 1 | SQF 14-3 N |
|---|-------------------|



Note! Product picture may differ from actual product

Product No.: [98994933](#)

The 4" SQF centrifugal pump is for low heads and large flow rates.

The SQFlex system is a reliable water supply system based on renewable energy sources, such as solar and wind energy.

Thanks to its flexible energy supply and performance, the SQFlex system can be combined and adapted to meet any need on the installation site.

The SQFlex system has a wide voltage range, built-in maximum power point tracking (MPPT) as well as dry-running, voltage and overload protection.

Liquid:

| | |
|------------------------------|-------------------------|
| Pumped liquid: | Water |
| Maximum liquid temperature: | 40 °C |
| Selected liquid temperature: | 20 °C |
| Density: | 998.2 kg/m ³ |

Technical:

| | |
|-------------------------------|------------|
| Approvals on motor nameplate: | CE,RCM,EAC |
| Approvals on pump nameplate: | CE,EAC |

Materials:

| | |
|-----------|--|
| Pump: | Stainless steel DIN W.-Nr. 1.4401 AISI 316 |
| Impeller: | Stainless steel DIN W.-Nr. 1.4401 AISI 316 |

Installation:

| | |
|----------------------------|--------|
| Maximum ambient pressure: | 15 bar |
| Pump outlet: | Rp 2 |
| Minimum borehole diameter: | 102 mm |

Electrical data:

| | |
|-------------------|--------------|
| Motor type: | MSF3N |
| Power input - P1: | 1.4 kW |
| Rated voltage ac: | 1 x 90-240 V |
| Rated voltage dc: | 30-300 V |
| Rated current: | 8.4 A |
| Power factor: | 1.0 |
| Rated speed: | 3600 rpm |



| Qty. | Description |
|------|-------------|
|------|-------------|

| | |
|-----------------------------|----------------|
| Start. method: | direct-on-line |
| Enclosure class (IEC 34-5): | IP68 |
| Insulation class (IEC 85): | F |
| Length of cable: | 2 m |
| Motor No: | 96275337 |
| Udc: | 300 V |
| | 30 V |

Others:

| | |
|--|----------------------|
| Minimum efficiency index, MEI $\hat{\alpha}\%$: | --- |
| Net weight: | 11.2 kg |
| Gross weight: | 12.7 kg |
| Shipping volume: | 0.028 m ³ |
| Country of origin: | MX |
| Custom tariff no.: | 84137025 |



Pumps



Motors

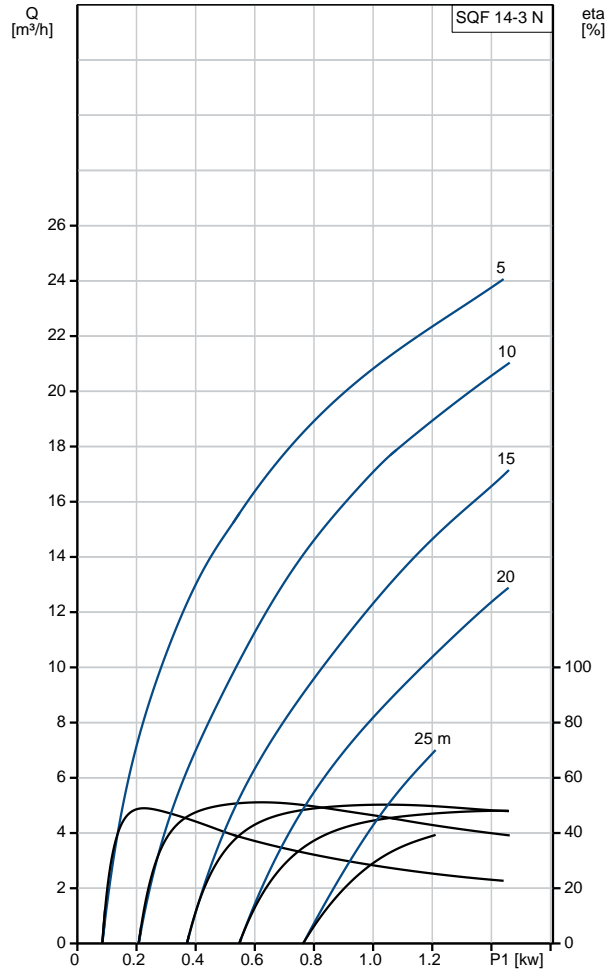


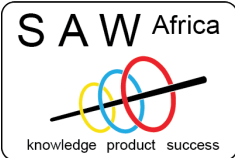
VSD's



Renewables

| Description | Value |
|--|---|
| General information: | |
| Product name: | SQF 14-3 N |
| Product No: | 98994933 |
| EAN number: | 5712604877111 |
| | 5712604877111 |
| Technical: | |
| Stages: | 3 |
| Approvals on motor nameplate: | CE,RCM,EAC |
| Approvals on pump nameplate: | CE,EAC |
| Pump No: | 98994931 |
| Valve: | pump with built-in non-return valve |
| Materials: | |
| Pump: | Stainless steel DIN W.-Nr. 1.4401 AISI 316 |
| Impeller: | Stainless steel DIN W.-Nr. 1.4401 AISI 316 |
| Rotor: | Stainless steel DIN W.-Nr. 1.4401 AISI 316 |
| Stator: | Stainless steel / EPDM DIN W.-Nr. 1.4401 AISI 316 |
| Installation: | |
| Maximum ambient pressure: | 15 bar |
| Pump outlet: | Rp 2 |
| Minimum borehole diameter: | 102 mm |
| Liquid: | |
| Pumped liquid: | Water |
| Maximum liquid temperature: | 40 °C |
| Selected liquid temperature: | 20 °C |
| Density: | 998.2 kg/m ³ |
| Electrical data: | |
| Motor type: | MSF3N |
| Power input - P1: | 1.4 kW |
| Rated voltage ac: | 1 x 90-240 V |
| Rated voltage dc: | 30-300 V |
| Rated current: | 8.4 A |
| Power factor: | 1.0 |
| Rated speed: | 3600 rpm |
| Start. method: | direct-on-line |
| Enclosure class (IEC 34-5): | IP68 |
| Insulation class (IEC 85): | F |
| Motor protec: | Y |
| Thermal protec: | internal |
| Length of cable: | 2 m |
| Motor No: | 96275337 |
| Udc: | 300 V 30 V |
| Others: | |
| Minimum efficiency index, MEI η _{min} [%]: | --- |
| Net weight: | 11.2 kg |
| Gross weight: | 12.7 kg |
| Shipping volume: | 0.028 m ³ |





Pumps



Motors



VSD's



Renewables

S A W Africa

Kimberley +27 53 832 3681
Johannesburg +27 11 392 2217
George +27 44 878 0349
Cape Town +27 21 949 6862

| Description | Value |
|--------------------|--------------------------------------|
| Sales region: | Europe/South America/Japan/Australia |
| Country of origin: | MX |
| Custom tariff no.: | 84137025 |



Pumps



Motors



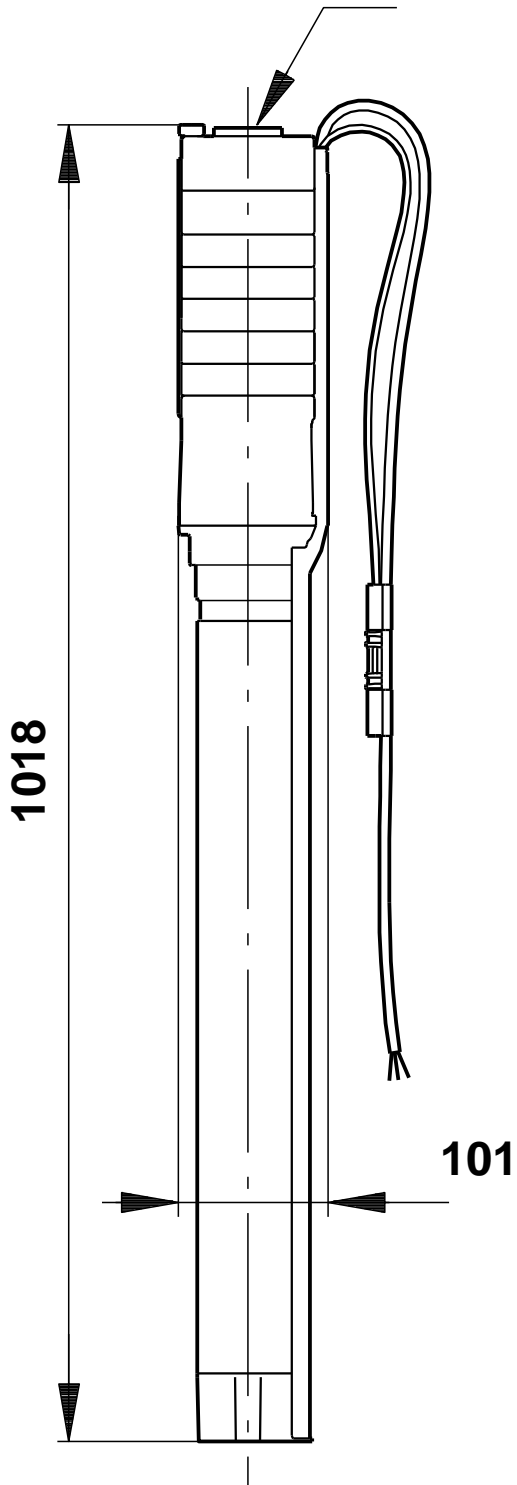
VSD's



Renewables

98994933 SQF 14-3 N

RP2



Note! All units are in [mm] unless others are stated.
Disclaimer: This simplified dimensional drawing does not show all details.



Pumps



Motors



VSD's



Renewables

Spare parts SQF 14-3 N, Product No. 98994933
Produced After 0616 (production year and week number)

| Pos | Description | Annotation | Classification Data | Part no. | Qty. | Unit |
|------|--------------------------------|------------|--|----------|------|------|
| - | Motor | | | | 1 | pcs |
| - | Kit, bearing | | | 96773223 | 1 | |
| | Shaft | | | | | |
| 202a | Stop ring | | | | | |
| 203 | Thrust bearing part stationary | | | | | |
| 205 | Radial bearing, upper | | | | | |
| 206 | Thrust bearing part, rotating | | | | | |
| 222a | Filling plug | | | | | |
| 232 | Lip seal ring | | | | | |
| - | Kit, cable | | | 97778359 | 1 | |
| 220 | Power Supply | | | | | |
| - | Kit, rotor | | | 96773228 | 1 | |
| 202 | Shaft w/rotor | | | | | |
| - | Kit, thrust bearing | | | 96773224 | 1 | |
| 224 | O-ring | | Diameter: 58 Material type: NBR Thickness: 2 | | | |
| 243 | Thrust bearing housing | | | | | |
| - | Kit, top cover | | | 96773227 | 1 | |
| 222a | Filling plug | | | | | |
| 224 | O-ring | | Diameter: 58 Material type: NBR Thickness: 2 | | | |
| 225 | Top cover | | | | | |
| 232 | Lip seal ring | | | | | |
| - | Pump | | | | 1 | pcs |
| - | Pump | | | | 1 | |
| - | Kit, cable guard | | | 95048651 | | |
| 18c | Cable guard | | | | | |
| 18a | Screw | | Length (mm): 10 Thread: K35 | | | |
| 18 | Cable guard | | | | | |
| - | Kit, sand slinger | | | 96773222 | | |
| | Sand slinger | | | | | |
| - | Kit, shaft end | | | 96477039 | | |
| | Adjusting | | | | | |
| | Sand slinger | | | | | |
| 24a | Support | | | | | |
| 24 | Shaft end | | | | | |
| 27 | Spline protector | | | | | |
| 6 | Upthrust bearing | | | 98766983 | | |
| 14 | Suction interconnector | | | 98766985 | | |
| 15 | Strainer | | | 99374665 | | |
| 16 | Shaft cpl. | | | 98766540 | | |
| 27 | Spline protector | | | 96590821 | 1 | pcs |