

**Qty. Description**

1 **SQF 2,5-2 N**



**Note! Product picture may differ from actual product**

Product No.: [95027331](#)

The 3" SQFlex pump with helical rotor is for high heads and low flow rates.

The SQFlex system is a reliable water supply system based on renewable energy sources, such as solar and wind energy.

Thanks to its flexible energy supply and performance, the SQFlex system can be combined and adapted to meet any need on the installation site.

The SQFlex system has a wide voltage range, built-in maximum power point tracking (MPPT) as well as dry-running, voltage and overload protection.

**Liquid:**

Pumped liquid: Water  
 Maximum liquid temperature: 40 °C  
 Selected liquid temperature: 20 °C  
 Density: 998.2 kg/m<sup>3</sup>

**Technical:**

Approvals on motor nameplate: CE,RCM,EAC  
 Approvals on pump nameplate: CE,EAC

**Materials:**

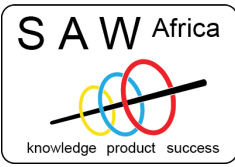
Pump: Stainless steel  
 DIN W.-Nr. 1.4401  
 AISI 316  
 Impeller: DIN W.-Nr. 1.4401

**Installation:**

Maximum ambient pressure: 15 bar  
 Pump outlet: Rp 1 1/4  
 Minimum borehole diameter: 76 mm

**Electrical data:**

Motor type: MSF3N  
 Power input - P1: 1.4 kW  
 Rated voltage ac: 1 x 90-240 V  
 Rated voltage dc: 30-300 V  
 Rated current: 8.4 A  
 Power factor: 1.0  
 Rated speed: 3600 rpm  
 Start. method: direct-on-line  
 Enclosure class (IEC 34-5): IP68  
 Insulation class (IEC 85): F



Pumps



Motors



VSD's



Renewables

S A W Africa

Kimberley +27 53 832 3681  
 Johannesburg +27 11 392 2217  
 George +27 44 878 0349  
 Cape Town +27 21 949 6862

Qty.	Description
	<p>Length of cable: 2 m</p> <p>Motor No: 96275337</p> <p>Udc: 300 V</p> <p>30 V</p> <p><b>Others:</b></p> <p>Minimum efficiency index, MEI %: ---</p> <p>Net weight: 8.2 kg</p> <p>Gross weight: 10 kg</p> <p>Shipping volume: 0.024 m<sup>3</sup></p> <p>Country of origin: MX</p> <p>Custom tariff no.: 84137025</p>



Pumps



Motors



VSD's



Renewables

Description	Value
-------------	-------

**General information:**

Product name:	SQF 2,5-2 N
Product No:	95027331
EAN number:	5700834791765
	5700834791765

**Technical:**

Stages:	2
Approvals on motor nameplate:	CE,RCM,EAC
Approvals on pump nameplate:	CE,EAC
Pump No:	95027415
Valve:	pump with built-in non-return valve

**Materials:**

Pump:	Stainless steel DIN W.-Nr. 1.4401 AISI 316
Impeller:	DIN W.-Nr. 1.4401
Rotor:	Stainless steel DIN W.-Nr. 1.4401 AISI 316
Stator:	Stainless steel / EPDM DIN W.-Nr. 1.4401 AISI 316

**Installation:**

Maximum ambient pressure:	15 bar
Pump outlet:	Rp 1 1/4
Minimum borehole diameter:	76 mm

**Liquid:**

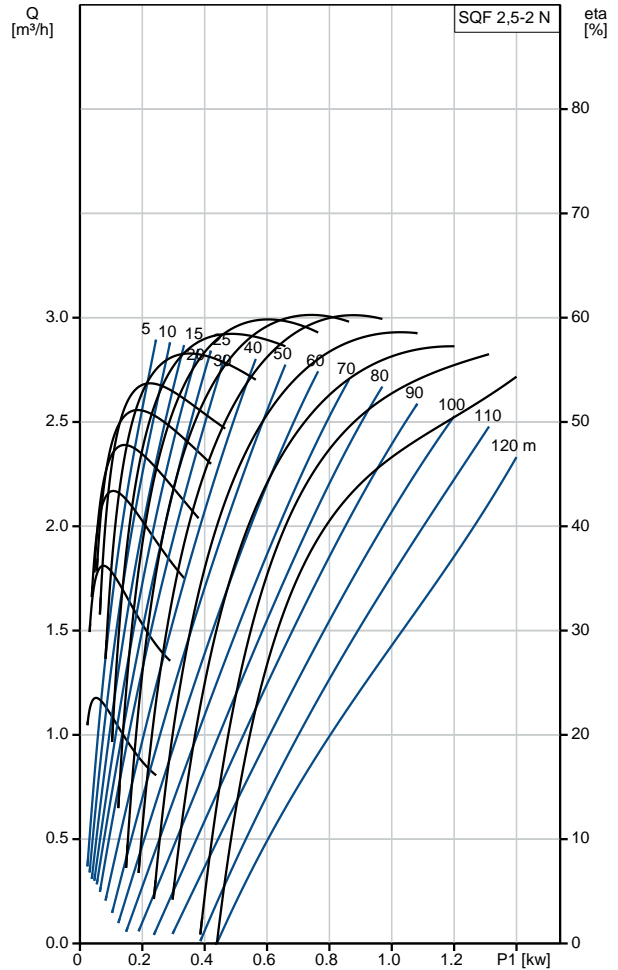
Pumped liquid:	Water
Maximum liquid temperature:	40 °C
Selected liquid temperature:	20 °C
Density:	998.2 kg/m³

**Electrical data:**

Motor type:	MSF3N
Power input - P1:	1.4 kW
Rated voltage ac:	1 x 90-240 V
Rated voltage dc:	30-300 V
Rated current:	8.4 A
Power factor:	1.0
Rated speed:	3600 rpm
Start. method:	direct-on-line
Enclosure class (IEC 34-5):	IP68
Insulation class (IEC 85):	F
Motor protec:	Y
Thermal protec:	internal
Length of cable:	2 m
Motor No:	96275337
Udc:	300 V
	30 V

**Others:**

Minimum efficiency index, MEI	
â%€:	--
Net weight:	8.2 kg
Gross weight:	10 kg
Shipping volume:	0.024 m³
Sales region:	Europe/South America/Japan
Country of origin:	MX
Custom tariff no.:	84137025





Pumps



Motors

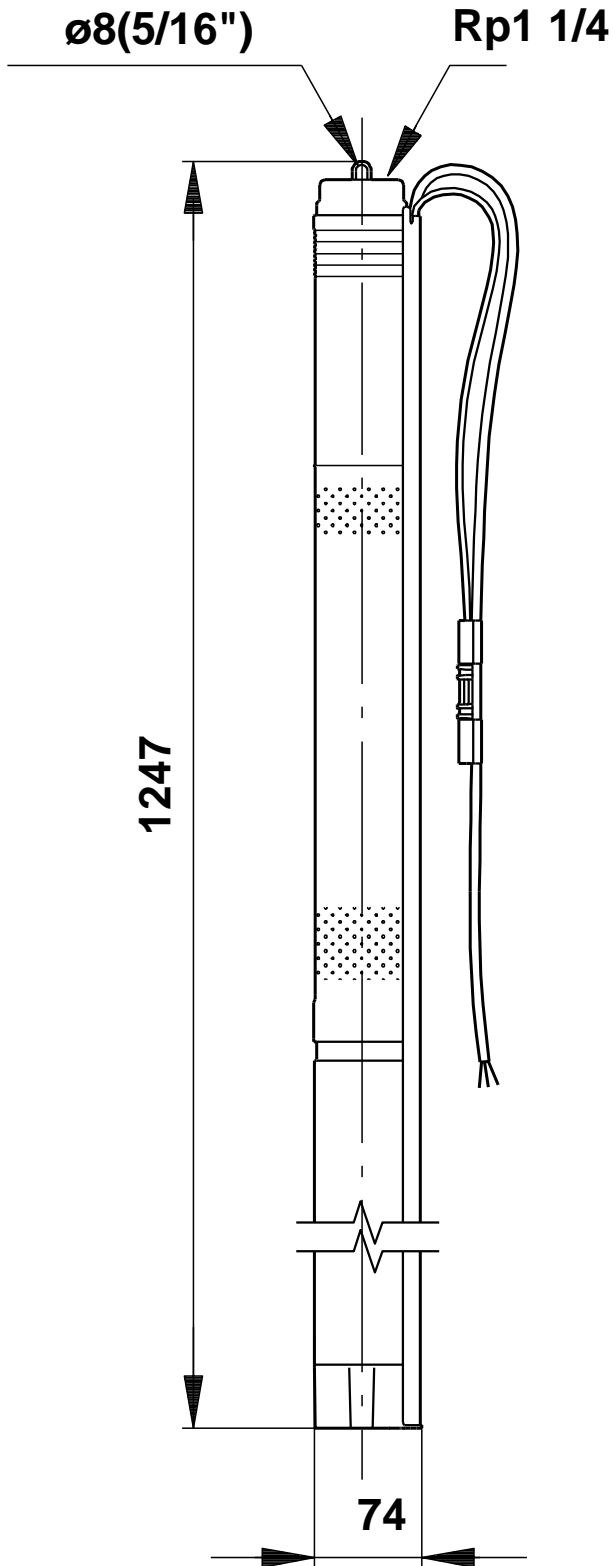


VSD's



Renewables

**95027331 SQF 2,5-2 N**



Note! All units are in [mm] unless others are stated.  
 Disclaimer: This simplified dimensional drawing does not show all details.

**Spare parts SQF 2,5-2 N, Product No. 95027331**  
**Produced After 0616 (production year and week number)**

Pos	Description	Annotation	Classification Data	Part no.	Qty.	Unit
-	Pump w/o motor				1	pcs
-	Kit, cable guard			95048659	1	
18a	Pan head tapping screw					
18	Cable guard					
-	Kit, hydraulic parts			96477059	1	
6	Flange					
9	Pump stator					
13	Pump rotor					
-	Kit, non-return valve			96477052	1	
-	Valve flap cpl.					
2	Valve cup					
39	Compression spring					
-	Valve casing					
1d	O-ring					
1	Valve casing					
3	Valve seat					
7a	Retaining ring					
70	Valve guide					
-	Kit, sand slinger			96773222	1	
	Sand slinger					
-	Kit, screws			96037388	1	
18a	Pan head tapping screw					
18a	Pan head screw					
18a	Screw		Length (mm): 10 Thread: K35			
250	Nut					
-	Kit, sleeve			96915663	1	
55	Pump sleeve					
-	Kit, torsion shaft			96477060	1	
16	Shaft					
-	Motor				1	pcs
-	Kit, bearing			96773223	1	
	Shaft					
202a	Stop ring					
203	Thrust bearing part stationary					
205	Radial bearing, upper					
206	Thrust bearing part, rotating					
222a	Filling plug					
232	Lip seal ring					
-	Kit, cable			97778359	1	
220	Power Supply					
-	Kit, rotor			96773228	1	
202	Shaft w/rotor					
-	Kit, thrust bearing			96773224	1	
224	O-ring		Diameter: 58 Material type: NBR Thickness: 2			
243	Thrust bearing housing					
-	Kit, top cover			96773227	1	
222a	Filling plug					
224	O-ring		Diameter: 58 Material type: NBR Thickness: 2			

S A W Africa



knowledge product success



Pumps



Motors



VSD's



Renewables

S A W Africa

Kimberley +27 53 832 3681

Johannesburg +27 11 392 2217

George +27 44 878 0349

Cape Town +27 21 949 6862

Pos	Description	Annotation	Classification Data	Part no.	Qty.	Unit
225	Top cover					
232	Lip seal ring					