

Pumps



Motors



VSD's



Renewables

Qty. Description

1 **SQF 3A-10 N**



Note! Product picture may differ from actual product

Product No.: [95027337](#)

The 4" SQF centrifugal pump is for low heads and large flow rates.

The SQFlex system is a reliable water supply system based on renewable energy sources, such as solar and wind energy.

Thanks to its flexible energy supply and performance, the SQFlex system can be combined and adapted to meet any need on the installation site.

The SQFlex system has a wide voltage range, built-in maximum power point tracking (MPPT) as well as dry-running, voltage and overload protection.

Liquid:

Pumped liquid: Water
 Maximum liquid temperature: 40 °C
 Selected liquid temperature: 20 °C
 Density: 998.2 kg/m³

Technical:

Approvals on motor nameplate: CE,RCM,EAC
 Approvals on pump nameplate: CE,EAC

Materials:

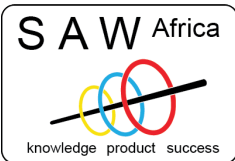
Pump: Stainless steel
 DIN W.-Nr. 1.4401
 AISI 316
 Impeller: Stainless steel
 DIN W.-Nr. 1.4401
 AISI 316

Installation:

Maximum ambient pressure: 15 bar
 Pump outlet: Rp 1 1/4
 Minimum borehole diameter: 102 mm

Electrical data:

Motor type: MSF3N
 Power input - P1: 1.4 kW
 Rated voltage ac: 1 x 90-240 V
 Rated voltage dc: 30-300 V
 Rated current: 8.4 A
 Power factor: 1.0
 Rated speed: 3600 rpm



Pumps



Motors



VSD's



Renewables

S A W Africa

Kimberley +27 53 832 3681
 Johannesburg +27 11 392 2217
 George +27 44 878 0349
 Cape Town +27 21 949 6862

Qty. Description

Start. method: direct-on-line
 Enclosure class (IEC 34-5): IP68
 Insulation class (IEC 85): F
 Length of cable: 2 m
 Motor No: 96275337
 Udc: 300 V
 30 V

Others:

Minimum efficiency index, MEI $\hat{\alpha}\%{\text{¥}}$: 0.70
 Net weight: 11.1 kg
 Gross weight: 12.6 kg
 Shipping volume: 0.028 m³
 Country of origin: MX
 Custom tariff no.: 84137025



Pumps



Motors

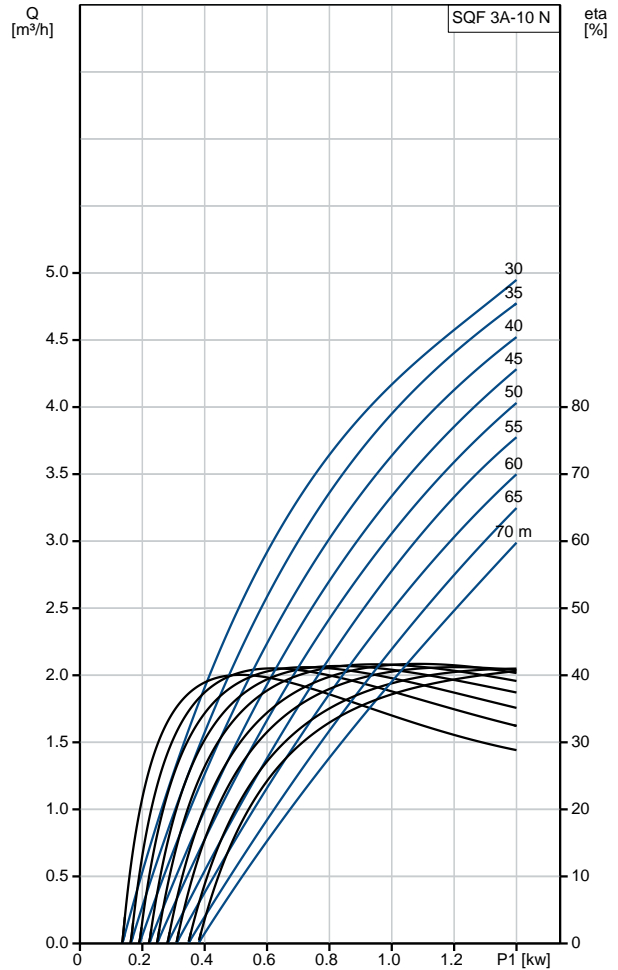


VSD's



Renewables

Description	Value
General information:	
Product name:	SQF 3A-10 N
Product No:	95027337
EAN number:	5700834760228
	5700834760228
Technical:	
Stages:	10
Approvals on motor nameplate:	CE,RCM,EAC
Approvals on pump nameplate:	CE,EAC
Pump No:	95027385
Valve:	pump with built-in non-return valve
Materials:	
Pump:	Stainless steel DIN W.-Nr. 1.4401 AISI 316
Impeller:	Stainless steel DIN W.-Nr. 1.4401 AISI 316
Rotor:	DIN W.-Nr. 1.4401 AISI 316
Stator:	DIN W.-Nr. 1.4401 AISI 316
Installation:	
Maximum ambient pressure:	15 bar
Pump outlet:	Rp 1 1/4
Minimum borehole diameter:	102 mm
Liquid:	
Pumped liquid:	Water
Maximum liquid temperature:	40 °C
Selected liquid temperature:	20 °C
Density:	998.2 kg/m³
Electrical data:	
Motor type:	MSF3N
Power input - P1:	1.4 kW
Rated voltage ac:	1 x 90-240 V
Rated voltage dc:	30-300 V
Rated current:	8.4 A
Power factor:	1.0
Rated speed:	3600 rpm
Start. method:	direct-on-line
Enclosure class (IEC 34-5):	IP68
Insulation class (IEC 85):	F
Motor protec:	Y
Thermal protec:	internal
Length of cable:	2 m
Motor No:	96275337
Udc:	300 V
	30 V
Others:	
Minimum efficiency index, MEI	0.70
Net weight:	11.1 kg
Gross weight:	12.6 kg
Shipping volume:	0.028 m³
Sales region:	Europe/South America/Japan
Country of origin:	MX
Custom tariff no.:	84137025





Pumps



Motors

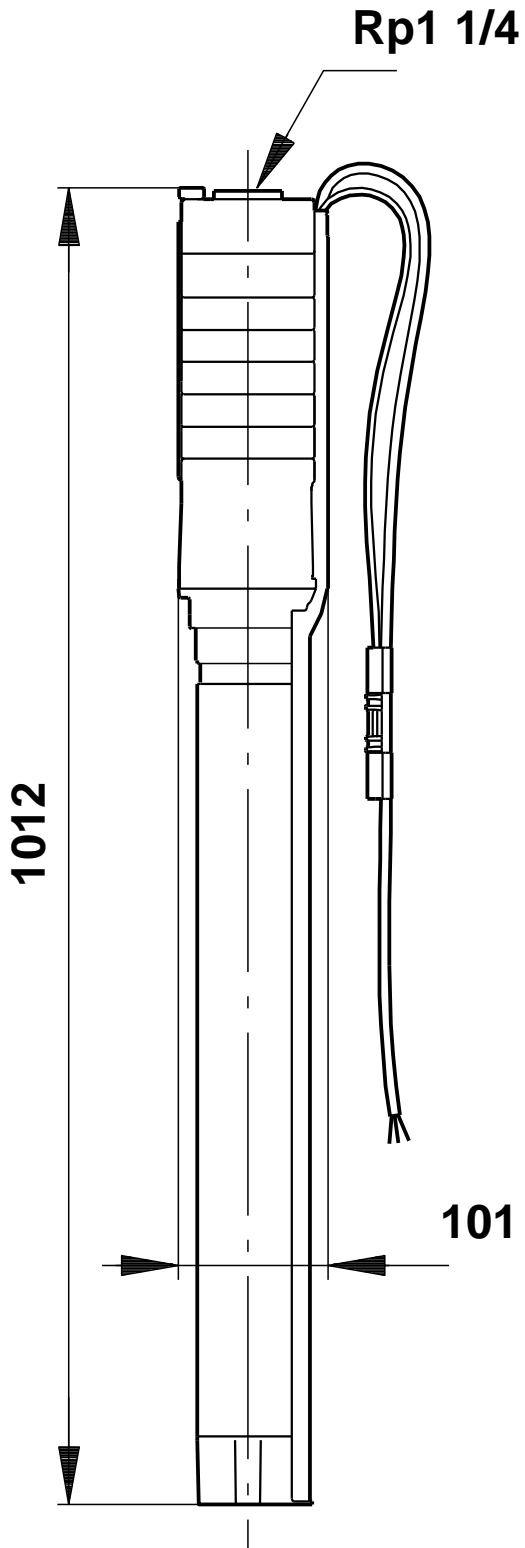


VSD's



Renewables

95027337 SQF 3A-10 N



Note! All units are in [mm] unless others are stated.
 Disclaimer: This simplified dimensional drawing does not show all details.



Pumps



Motors



VSD's



Renewables

Spare parts SQF 3A-10 N, Product No. 95027337
Produced After 0616 (production year and week number)

Pos	Description	Annotation	Classification Data	Part no.	Qty.	Unit
-	Pump w/o motor				1	pcs
-	Kit, cable guard			95048641	1	
18c	Cable guard					
18	Cable guard					
-	Kit, connecting piece			96773221	1	
14a	Connecting piece					
-	Kit, sand slinger			96773222	1	
	Sand slinger					
-	Kit, screws			96037388	1	
18a	Pan head tapping screw					
18a	Pan head screw					
18a	Screw		Length (mm): 10 Thread: K35			
250	Nut					
-	Kit, shaft end			96477039	1	
	Adjusting					
	Sand slinger					
24a	Support					
24	Shaft end					
27	Spline protector					
-	Kit, wear parts			95048663	1	
	Stop ring					
7	Neck ring					
- 13a	Impeller cpl.					
	Impeller					
- 11	Split cone nut					
	Split cone nut					
11a	O-ring		Diameter: 15,00 Material type: NBR Thickness: 70SHOR			
12	Split cone					
- 1	Valve casing cpl.			96550774	1	
	Bulk, Bearing, top (2 pcs)			96537804		
	Bulk, Bearing, top (10 pcs)			96535139		
2	Valve cone			96550791		
3	Valve seat			96550772		
-	Motor				1	pcs
-	Kit, bearing			96773223	1	
	Shaft					
202a	Stop ring					
203	Thrust bearing part stationary					
205	Radial bearing, upper					
206	Thrust bearing part, rotating					
222a	Filling plug					
232	Lip seal ring					
-	Kit, cable			97778359	1	
220	Power Supply					
-	Kit, rotor			96773228	1	
202	Shaft w/rotor					
-	Kit, thrust bearing			96773224	1	
224	O-ring		Diameter: 58 Material type: NBR Thickness: 2			



Pumps



Motors



VSD's



Renewables

Pos	Description	Annotation	Classification Data	Part no.	Qty.	Unit
243	Thrust bearing housing					
-	Kit, top cover			96773227	1	
222a	Filling plug					
224	O-ring		Diameter: 58			
			Material type: NBR			
			Thickness: 2			
225	Top cover					
232	Lip seal ring					