

Qty.	Description
------	-------------

1	SQF 5A-7 N
---	-------------------



Note! Product picture may differ from actual product

Product No.: [95027343](#)

The 4" SQF centrifugal pump is for low heads and large flow rates.

The SQFlex system is a reliable water supply system based on renewable energy sources, such as solar and wind energy.

Thanks to its flexible energy supply and performance, the SQFlex system can be combined and adapted to meet any need on the installation site.

The SQFlex system has a wide voltage range, built-in maximum power point tracking (MPPT) as well as dry-running, voltage and overload protection.

Liquid:

Pumped liquid:	Water
Maximum liquid temperature:	40 °C
Selected liquid temperature:	20 °C
Density:	998.2 kg/m ³

Technical:

Approvals on motor nameplate:	CE,RCM,EAC
Approvals on pump nameplate:	CE,EAC

Materials:

Pump:	Stainless steel DIN W.-Nr. 1.4401 AISI 316
Impeller:	Stainless steel DIN W.-Nr. 1.4401 AISI 316

Installation:

Maximum ambient pressure:	15 bar
Pump outlet:	Rp 1 1/2
Minimum borehole diameter:	0.5 mm

Electrical data:

Motor type:	MSF3N
Power input - P1:	1.4 kW
Rated voltage ac:	1 x 90-240 V
Rated voltage dc:	30-300 V
Rated current:	8.4 A
Power factor:	1.0
Rated speed:	3600 rpm



Pumps



Motors



VSD's



Renewables

Qty. Description

Start. method: direct-on-line
 Enclosure class (IEC 34-5): IP68
 Insulation class (IEC 85): F
 Length of cable: 2 m
 Motor No: 96275337
 Udc: 300 V
 30 V

Others:

Minimum efficiency index, MEI $\hat{\alpha}\%{\text{¥}}$: 0.56
 Net weight: 10.5 kg
 Gross weight: 12 kg
 Shipping volume: 0.028 m³
 Country of origin: MX
 Custom tariff no.: 84137025



Pumps



Motors



VSD's



Renewables

Description	Value
-------------	-------

General information:

Product name:	SQF 5A-7 N
Product No:	95027343
EAN number:	5700834760327
	5700834760327

Technical:

Stages:	7
Approvals on motor nameplate:	CE,RCM,EAC
Approvals on pump nameplate:	CE,EAC
Pump No:	95027394
Valve:	pump with built-in non-return valve

Materials:

Pump:	Stainless steel DIN W.-Nr. 1.4401 AISI 316
Impeller:	Stainless steel DIN W.-Nr. 1.4401 AISI 316
Rotor:	DIN W.-Nr. 1.4401 AISI 316
Stator:	DIN W.-Nr. 1.4401 AISI 316

Installation:

Maximum ambient pressure:	15 bar
Pump outlet:	Rp 1 1/2
Minimum borehole diameter:	0.5 mm

Liquid:

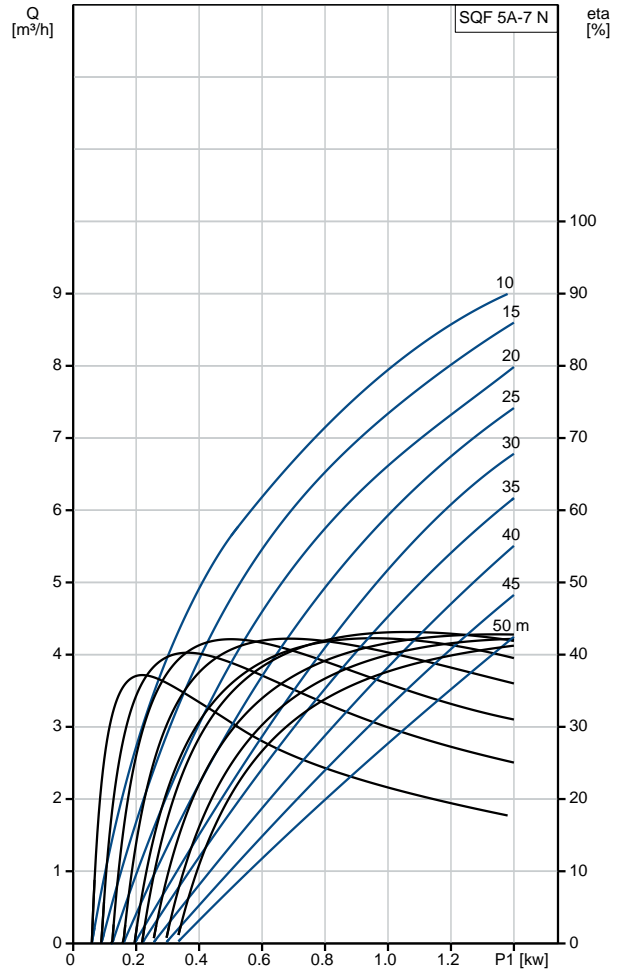
Pumped liquid:	Water
Maximum liquid temperature:	40 °C
Selected liquid temperature:	20 °C
Density:	998.2 kg/m³

Electrical data:

Motor type:	MSF3N
Power input - P1:	1.4 kW
Rated voltage ac:	1 x 90-240 V
Rated voltage dc:	30-300 V
Rated current:	8.4 A
Power factor:	1.0
Rated speed:	3600 rpm
Start. method:	direct-on-line
Enclosure class (IEC 34-5):	IP68
Insulation class (IEC 85):	F
Motor protec:	Y
Thermal protec:	internal
Length of cable:	2 m
Motor No:	96275337
Udc:	300 V
	30 V

Others:

Minimum efficiency index, MEI â%o€:	0.56
Net weight:	10.5 kg
Gross weight:	12 kg
Shipping volume:	0.028 m³
Sales region:	Europe/South America/Japan
Country of origin:	MX
Custom tariff no.:	84137025





Pumps



Motors

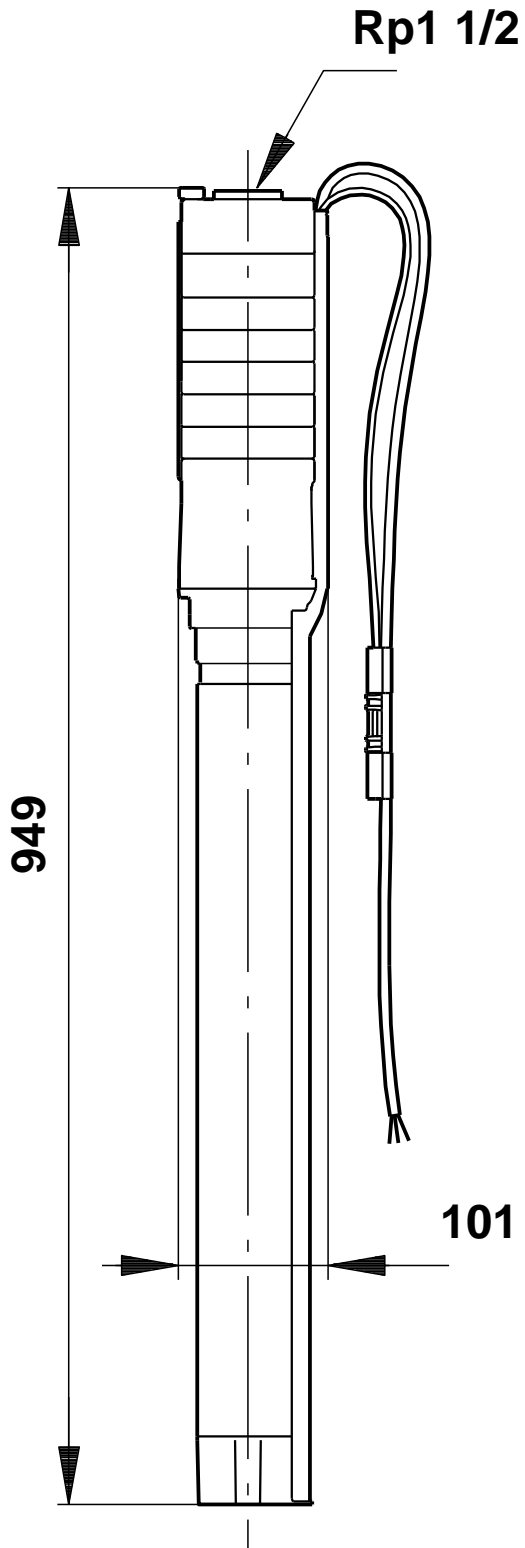


VSD's



Renewables

95027343 SQF 5A-7 N



Note! All units are in [mm] unless others are stated.
Disclaimer: This simplified dimensional drawing does not show all details.

Spare parts SQF 5A-7 N, Product No. 95027343
Produced After 0616 (production year and week number)

Pos	Description	Annotation	Classification Data	Part no.	Qty.	Unit
-	Pump w/o motor				1	pcs
-	Kit, cable guard			95048649	1	
18c	Cable guard					
18	Cable guard					
-	Kit, sand slinger			96773222	1	
	Sand slinger					
-	Kit, shaft end			96477039	1	
	Adjusting					
	Sand slinger					
24a	Support					
24	Shaft end					
27	Spline protector					
	Bulk, Stop ring (10 pcs)			96927076	1	
	Bulk, Stop ring (50 pcs)			98527989	1	
	Stop ring			96550777	1	
- 1	Valve casing cpl.			96550774	1	
	Bulk, Bearing, top (2 pcs)			96537804		
	Bulk, Bearing, top (10 pcs)			96535139		
2	Valve cone			96550791		
3	Valve seat			96550772		
7	Bulk, Neck ring (10 pcs)			97534360	7	
7	Neck ring			96591921	7	
- 13a	Bulk, Impeller cpl. (5 pcs)			96915592	7	
- 11	Bulk, Split cone nut (10 pcs)			96602963		
	Bulk, Split cone nut (10 pcs)			96602958		
11a	O-ring		Diameter: 15,00		99113822	
			Material type: NBR			
			Thickness: 70SHOR			
12	Bulk, Split cone (10 pcs)			96551287		
+ 13a	Bulk, Impeller cpl. (10 pcs)			96537778	7	
+ 13a	Impeller cpl.			96903196	7	
-	Motor				1	pcs
-	Kit, bearing			96773223	1	
	Shaft					
202a	Stop ring					
203	Thrust bearing part stationary					
205	Radial bearing, upper					
206	Thrust bearing part, rotating					
222a	Filling plug					
232	Lip seal ring					
-	Kit, cable			97778359	1	
220	Power Supply					
-	Kit, rotor			96773228	1	
202	Shaft w/rotor					
-	Kit, thrust bearing			96773224	1	
224	O-ring		Diameter: 58			
			Material type: NBR			
			Thickness: 2			
243	Thrust bearing housing					
-	Kit, top cover			96773227	1	
222a	Filling plug					
224	O-ring		Diameter: 58			
			Material type: NBR			



Pumps



Motors



VSD's



Renewables

Kimberley +27 53 832 3681

Johannesburg +27 11 392 2217

George +27 44 878 0349

Cape Town +27 21 949 6862

Pos	Description	Annotation	Classification Data	Part no.	Qty.	Unit
		Thickness: 2				
225	Top cover					
232	Lip seal ring					