



Pumps



Motors



VSD's



Renewables

Qty.	Description
------	-------------

1	<b>SQF 7-4 N</b>
---	------------------



Note! Product picture may differ from actual product

Product No.: [98994902](#)

The 4" SQF centrifugal pump is for low heads and large flow rates.

The SQFlex system is a reliable water supply system based on renewable energy sources, such as solar and wind energy.

Thanks to its flexible energy supply and performance, the SQFlex system can be combined and adapted to meet any need on the installation site.

The SQFlex system has a wide voltage range, built-in maximum power point tracking (MPPT) as well as dry-running, voltage and overload protection.

**Liquid:**

Pumped liquid:	Water
Maximum liquid temperature:	40 °C
Selected liquid temperature:	20 °C
Density:	998.2 kg/m <sup>3</sup>

**Technical:**

Approvals on motor nameplate:	CE,RCM,EAC
Approvals on pump nameplate:	CE,EAC

**Materials:**

Pump:	Stainless steel DIN W.-Nr. 1.4401 AISI 316
Impeller:	Stainless steel DIN W.-Nr. 1.4401 AISI 316

**Installation:**

Maximum ambient pressure:	15 bar
Pump outlet:	Rp 1 1/2
Minimum borehole diameter:	102 mm

**Electrical data:**

Motor type:	MSF3N
Power input - P1:	1.4 kW
Rated voltage ac:	1 x 90-240 V
Rated voltage dc:	30-300 V
Rated current:	8.4 A
Power factor:	1.0
Rated speed:	3600 rpm



Pumps



Motors



VSD's



Renewables

**Qty. Description**

Start. method: direct-on-line  
 Enclosure class (IEC 34-5): IP68  
 Insulation class (IEC 85): F  
 Length of cable: 2 m  
 Motor No: 96275337  
 Udc: 300 V  
 30 V

**Others:**

Minimum efficiency index, MEI  $\hat{\alpha}\%{\text{¥}}$ : ---  
 Net weight: 10.6 kg  
 Gross weight: 12.1 kg  
 Shipping volume: 0.028 m<sup>3</sup>  
 Country of origin: MX  
 Custom tariff no.: 84137025



Pumps



Motors

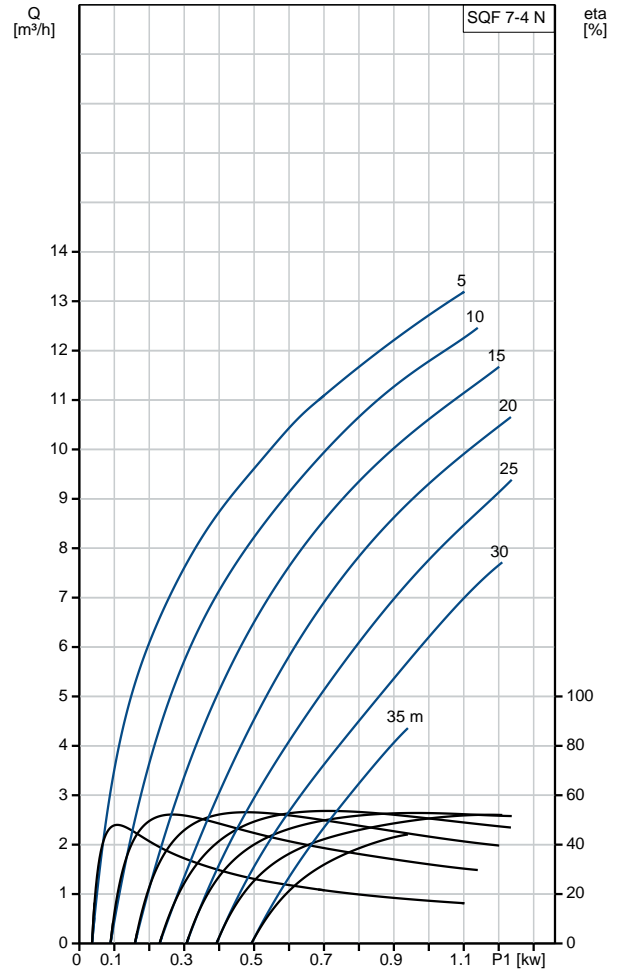


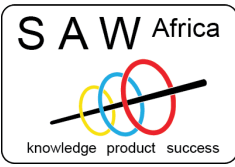
VSD's



Renewables

Description	Value
<b>General information:</b>	
Product name:	SQF 7-4 N
Product No:	98994902
EAN number:	5712604876183
	5712604876183
<b>Technical:</b>	
Stages:	4
Approvals on motor nameplate:	CE,RCM,EAC
Approvals on pump nameplate:	CE,EAC
Pump No:	98994677
Valve:	pump with built-in non-return valve
<b>Materials:</b>	
Pump:	Stainless steel DIN W.-Nr. 1.4401 AISI 316
Impeller:	Stainless steel DIN W.-Nr. 1.4401 AISI 316
Rotor:	Stainless steel DIN W.-Nr. 1.4401 AISI 316
Stator:	Stainless steel / EPDM DIN W.-Nr. 1.4401 AISI 316
<b>Installation:</b>	
Maximum ambient pressure:	15 bar
Pump outlet:	Rp 1 1/2
Minimum borehole diameter:	102 mm
<b>Liquid:</b>	
Pumped liquid:	Water
Maximum liquid temperature:	40 °C
Selected liquid temperature:	20 °C
Density:	998.2 kg/m <sup>3</sup>
<b>Electrical data:</b>	
Motor type:	MSF3N
Power input - P1:	1.4 kW
Rated voltage ac:	1 x 90-240 V
Rated voltage dc:	30-300 V
Rated current:	8.4 A
Power factor:	1.0
Rated speed:	3600 rpm
Start. method:	direct-on-line
Enclosure class (IEC 34-5):	IP68
Insulation class (IEC 85):	F
Motor protec:	Y
Thermal protec:	internal
Length of cable:	2 m
Motor No:	96275337
Udc:	300 V 30 V
<b>Others:</b>	
Minimum efficiency index, MEI â%â€:â€:	---
Net weight:	10.6 kg
Gross weight:	12.1 kg
Shipping volume:	0.028 m <sup>3</sup>





Pumps



Motors



VSD's



Renewables

S A W Africa

Kimberley +27 53 832 3681  
Johannesburg +27 11 392 2217  
George +27 44 878 0349  
Cape Town +27 21 949 6862

Description	Value
Sales region:	Europe/South America/Japan/Australia
Country of origin:	MX
Custom tariff no.:	84137025



Pumps



Motors

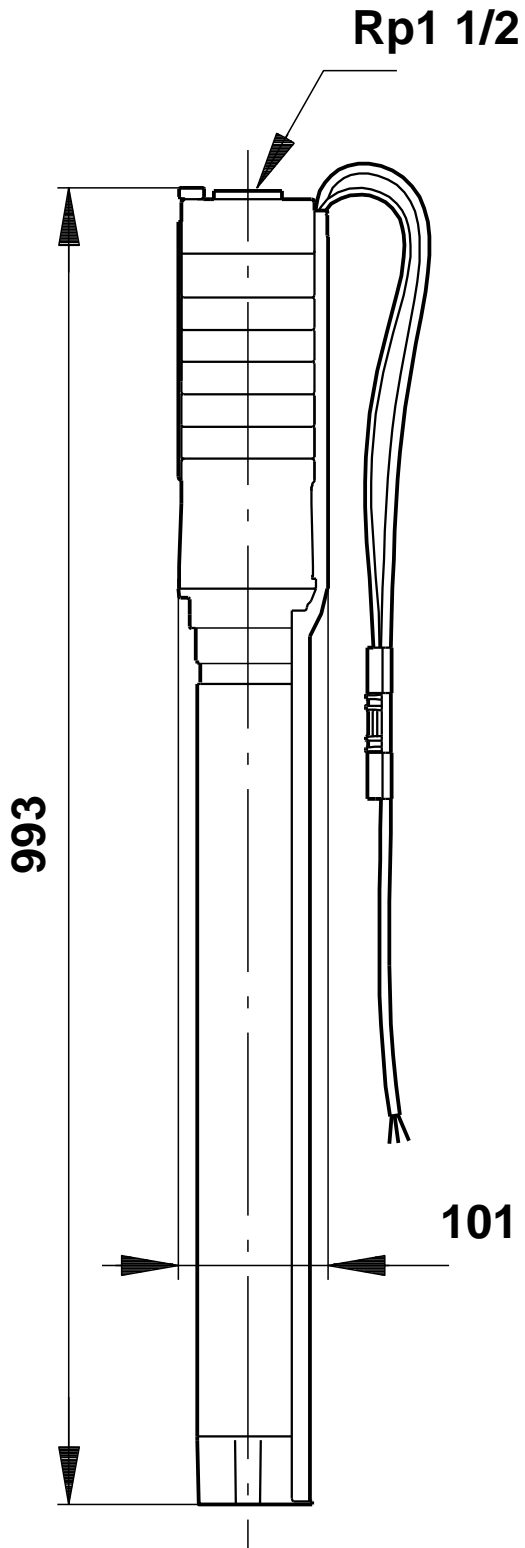


VSD's



Renewables

# 98994902 SQF 7-4 N



Note! All units are in [mm] unless others are stated.  
Disclaimer: This simplified dimensional drawing does not show all details.