

Qty. Description

1

SQF 9-3 N



Note! Product picture may differ from actual product

Product No.: [98994640](#)

The 4" SQF centrifugal pump is for low heads and large flow rates.

The SQFlex system is a reliable water supply system based on renewable energy sources, such as solar and wind energy.

Thanks to its flexible energy supply and performance, the SQFlex system can be combined and adapted to meet any need on the installation site.

The SQFlex system has a wide voltage range, built-in maximum power point tracking (MPPT) as well as dry-running, voltage and overload protection.

Liquid:

Pumped liquid: Water
 Maximum liquid temperature: 40 °C
 Selected liquid temperature: 20 °C
 Density: 998.2 kg/m³

Technical:

Approvals on motor nameplate: CE,RCM,EAC
 Approvals on pump nameplate: CE,EAC

Materials:

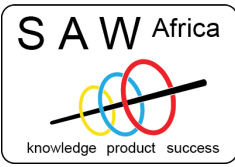
Pump: Stainless steel
 DIN W.-Nr. 1.4401
 AISI 316
 Impeller: Stainless steel
 DIN W.-Nr. 1.4401
 AISI 316

Installation:

Maximum ambient pressure: 15 bar
 Pump outlet: Rp 2
 Minimum borehole diameter: 102 mm

Electrical data:

Motor type: MSF3N
 Power input - P1: 1.4 kW
 Rated voltage ac: 1 x 90-240 V
 Rated voltage dc: 30-300 V
 Rated current: 8.4 A
 Power factor: 1.0
 Rated speed: 3600 rpm



Pumps



Motors



VSD's



Renewables

S A W Africa

Kimberley +27 53 832 3681
 Johannesburg +27 11 392 2217
 George +27 44 878 0349
 Cape Town +27 21 949 6862

Qty.	Description
	<p>Start. method: direct-on-line</p> <p>Enclosure class (IEC 34-5): IP68</p> <p>Insulation class (IEC 85): F</p> <p>Length of cable: 2 m</p> <p>Motor No: 96275337</p> <p>Udc: 300 V 30 V</p> <p>Others:</p> <p>Minimum efficiency index, MEI $\hat{\alpha}\%{\text{¥}}$: ---</p> <p>Net weight: 11 kg</p> <p>Gross weight: 12.5 kg</p> <p>Shipping volume: 0.028 m³</p> <p>Country of origin: MX</p> <p>Custom tariff no.: 84137025</p>



Pumps



Motors

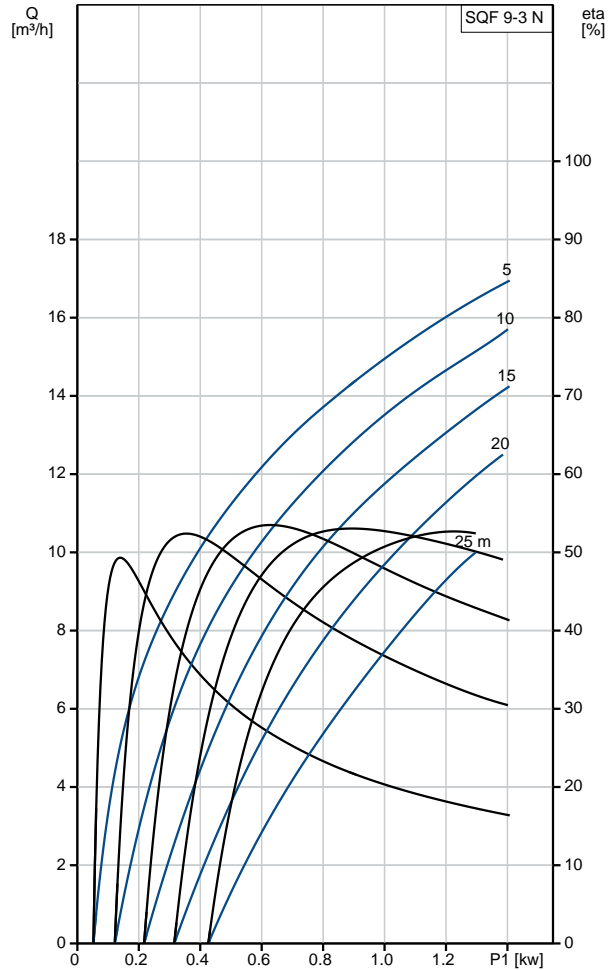


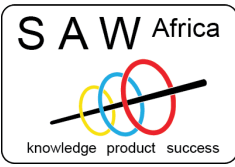
VSD's



Renewables

Description	Value
General information:	
Product name:	SQF 9-3 N
Product No:	98994640
EAN number:	5712604866313
	5712604866313
Technical:	
Stages:	3
Approvals on motor nameplate:	CE,RCM,EAC
Approvals on pump nameplate:	CE,EAC
Pump No:	98994639
Valve:	pump with built-in non-return valve
Materials:	
Pump:	Stainless steel DIN W.-Nr. 1.4401 AISI 316
Impeller:	Stainless steel DIN W.-Nr. 1.4401 AISI 316
Rotor:	Stainless steel DIN W.-Nr. 1.4401 AISI 316
Stator:	Stainless steel / EPDM DIN W.-Nr. 1.4401 AISI 316
Installation:	
Maximum ambient pressure:	15 bar
Pump outlet:	Rp 2
Minimum borehole diameter:	102 mm
Liquid:	
Pumped liquid:	Water
Maximum liquid temperature:	40 °C
Selected liquid temperature:	20 °C
Density:	998.2 kg/m ³
Electrical data:	
Motor type:	MSF3N
Power input - P1:	1.4 kW
Rated voltage ac:	1 x 90-240 V
Rated voltage dc:	30-300 V
Rated current:	8.4 A
Power factor:	1.0
Rated speed:	3600 rpm
Start. method:	direct-on-line
Enclosure class (IEC 34-5):	IP68
Insulation class (IEC 85):	F
Motor protec:	Y
Thermal protec:	internal
Length of cable:	2 m
Motor No:	96275337
Udc:	300 V 30 V
Others:	
Minimum efficiency index, MEI â%â€:â€:	---
Net weight:	11 kg
Gross weight:	12.5 kg
Shipping volume:	0.028 m ³





Pumps



Motors



VSD's



Renewables

S A W Africa

Kimberley +27 53 832 3681
Johannesburg +27 11 392 2217
George +27 44 878 0349
Cape Town +27 21 949 6862

Description	Value
Sales region:	Europe/South America/Japan/Australia
Country of origin:	MX
Custom tariff no.:	84137025



Pumps



Motors

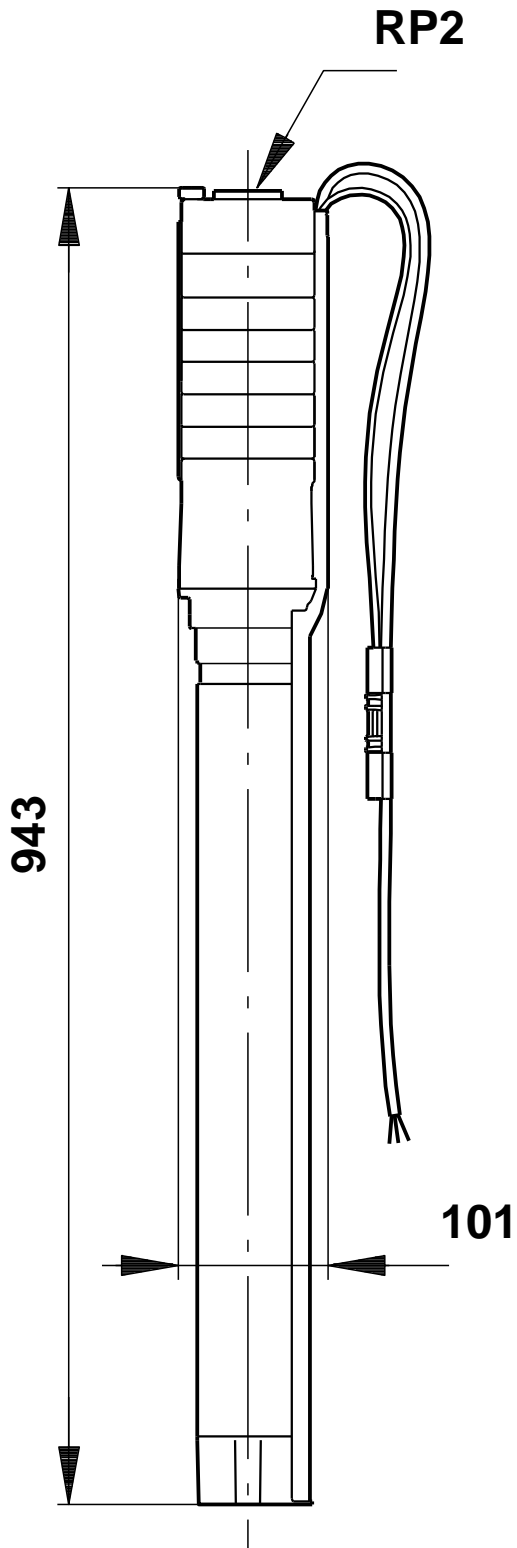


VSD's



Renewables

98994640 SQF 9-3 N



Note! All units are in [mm] unless others are stated.
Disclaimer: This simplified dimensional drawing does not show all details.